

Plastic Bridge Handles / Plastic Hinges

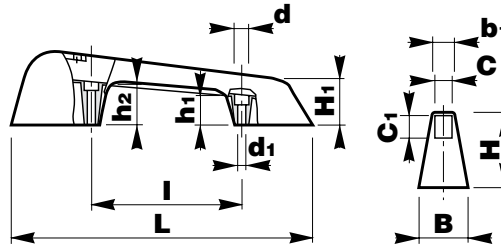
Poignées de pont en plastique / charnières en plastique



Inch

Pouce

BRIDGE HANDLE



SPAENAUR No.	L	I	B	b1	H	H1	h1	h2	d	d1	C	C1
135-127	10.56	5.20	1.73	0.79	2.52	1.81	3.39	1.34	0.53	0.33	0.61	0.81

Thermoplastic Material

PKG QTY. 1

A tolerance of ± 0.125 " is possible on Boteco® non-critical measurements.



See more Boteco® Knobs, Handwheels & Handles on page J68-J80

J

See pages L84 for Boteco® Plastic Hinges.

HINGES

Countersunk Through Holes
Exterior Mounting

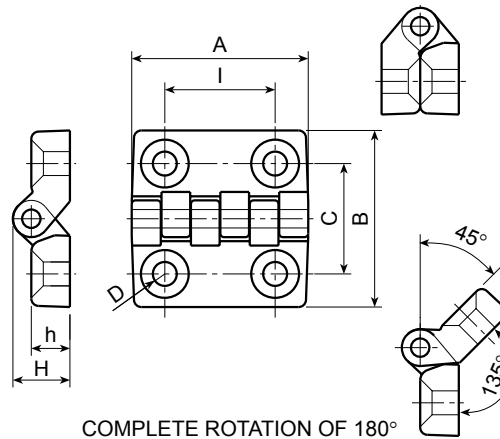
MATERIAL:
Reinforced Polyamide.
Oil and grease resistant.

PIN:
Steel, zinc plated
or Stainless Steel



PKG QTY. 1

SURFACE: Satin. **COLOUR:** Black.



COMPLETE ROTATION OF 180°

SPAENAUR No.	I	C	A	B	h	H	D	Pin Dia.	Pin Material
135-151	0.79	0.79	1.26	1.26	0.28	0.41	0.16	0.11	Steel
135-154	0.79	0.79	1.26	1.26	0.28	0.41	0.16	0.11	Stainless
135-W48-1A	1.18	1.18	1.89	1.89	0.41	0.57	0.26	0.19	Steel
135-155	1.18	1.18	1.89	1.89	0.41	0.57	0.26	0.19	Stainless
135-W32-1K	1.58	1.58	2.52	2.52	0.51	0.75	0.26	0.19	Steel
135-W06-1K	1.58	1.58	2.52	2.52	0.51	0.75	0.26	0.19	Stainless