

Handwheels

Molettes



Inch

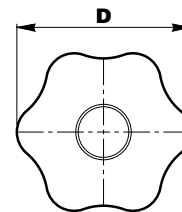
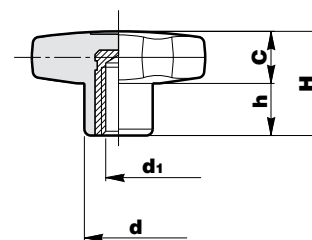
Pouce

6-LOBE HANDWHEEL

Female



All items on this page - PKG QTY. 1



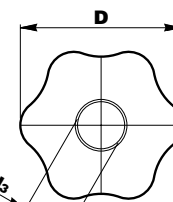
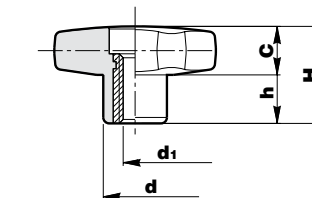
SPAENAUR No.

SPAENAUR No.	D	d	d1	H	C	h
135-W28-1N	1.18	0.59	1/4-20	0.79	0.39	0.39
135-180	1.18	0.59	5/16-18	0.79	0.39	0.39
135-181	1.18	0.59	3/8-16	0.79	0.39	0.39
135-182	1.58	0.67	1/4-20	0.95	0.45	0.49
135-W12-1A	1.58	0.67	5/16-18	0.95	0.45	0.49
135-W29-1T	1.58	0.67	3/8-16	0.95	0.45	0.49
135-021	1.97	0.79	5/16-18	1.12	0.55	0.57
135-184	1.97	0.79	3/8-16	1.12	0.55	0.57
135-W04-1N	1.97	0.79	1/2-13	1.12	0.55	0.57
135-W70-1K	2.36	0.95	3/8-16	1.30	0.59	0.71
135-185	2.36	0.95	1/2-13	1.30	0.59	0.71

Thermoplastic Material

6-LOBE HANDWHEEL

Tapped Right Through



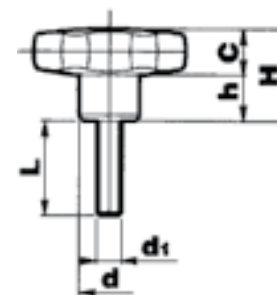
SPAENAUR No.

SPAENAUR No.	D	d	d1	d3	H	C	h
135-W67-1T	1.18	0.59	1/4-20	0.45	0.79	0.39	0.39
135-W96-1M	1.18	0.59	5/16-18	0.45	0.79	0.39	0.39
135-W13-1P	1.58	0.67	1/4-20	0.47	0.95	0.45	0.49
135-025	1.58	0.67	5/16-18	0.47	0.95	0.45	0.49
135-W71-1W	1.58	0.67	3/8-16	0.47	0.95	0.45	0.49
135-189	1.97	0.79	5/16-18	0.55	1.12	0.55	0.57
135-190	1.97	0.79	3/8-16	0.55	1.12	0.55	0.57
135-W70-1K	2.36	0.95	3/8-16	0.63	1.30	0.59	0.71
135-W73-1X	2.36	0.95	1/2-13	0.63	1.30	0.59	0.71

Thermoplastic Material

6-LOBE

Male



SPAENAUR No.

SPAENAUR No.	D	d	d1	H	L	C	h
135-191	1.18	0.59	1/4-20	0.79	0.50	0.39	0.39
135-192	1.18	0.59	1/4-20	0.79	1.00	0.39	0.39
135-193	1.18	0.59	5/16-18	0.79	0.50	0.39	0.39
135-194	1.18	0.59	5/16-18	0.79	1.00	0.39	0.39
135-W33-1W	1.58	0.67	1/4-20	0.95	1.00	0.43	0.49
135-W74-1A	1.58	0.67	1/4-20	0.95	1.25	0.43	0.49
135-030	1.58	0.67	1/4-20	0.95	1.50	0.43	0.49
135-W90-1Y	1.58	0.67	5/16-18	0.95	1.00	0.43	0.49
135-W16-1N	1.58	0.67	5/16-18	0.95	1.25	0.43	0.49
135-W39-1C	1.58	0.67	5/16-18	0.95	1.50	0.43	0.49
135-W91-1C	1.97	0.79	5/16-18	1.12	1.00	0.55	0.57
135-033	1.97	0.79	5/16-18	1.12	1.25	0.55	0.57
135-W41-1C	1.97	0.79	5/16-18	1.12	1.50	0.55	0.57
135-240	1.97	0.79	3/8-16	1.12	1.00	0.55	0.57
135-035	1.97	0.79	3/8-16	1.12	1.25	0.55	0.57
135-W40-1Y	1.97	0.79	3/8-16	1.12	1.50	0.55	0.57
135-241	2.36	0.95	1/2-13	1.30	1.25	0.59	0.71
135-242	2.36	0.95	1/2-13	1.30	1.50	0.59	0.71
135-243	2.36	0.95	1/2-13	1.30	2.00	0.59	0.71

Thermoplastic Material

Inch

Pouce



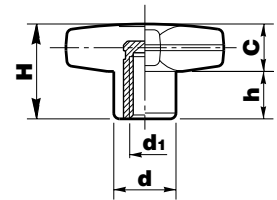
Handwheels

Molettes

A tolerance of $\pm 0.125''$ is possible on Boteco non-critical measurements.

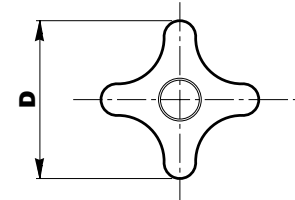
CROSS HANDWHEEL

Female



SPAENAUR

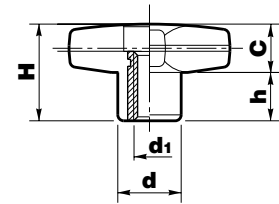
No.	D	d	d1	H	C	h
135-037	1.58	0.63	1/4-20	0.95	0.45	0.49
135-W97-1X	1.58	0.63	5/16-18	0.95	0.45	0.49
135-W75-1P	1.97	0.79	5/16-18	1.12	0.55	0.57
135-W09-1X	1.97	0.79	3/8-16	1.12	0.55	0.57
135-W42-1N	1.97	0.79	1/2-13	1.12	0.55	0.57



Thermoplastic Material

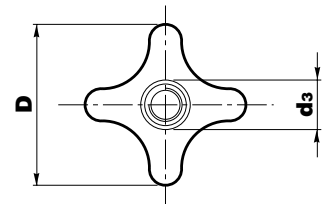
CROSS HANDWHEEL

Tapped Right Through



SPAENAUR

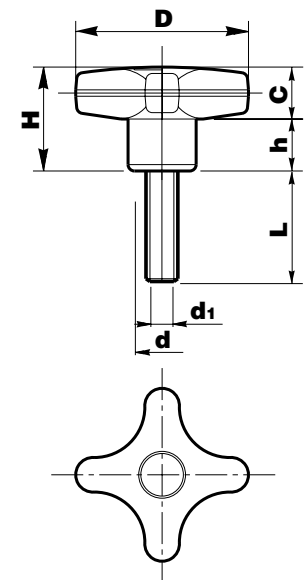
No.	D	d	d1	d3	H	C	h
135-W10-1M	1.58	0.63	1/4-20	0.51	0.95	0.45	0.49
135-W08-1M	1.97	0.79	5/16-18	0.59	1.12	0.55	0.57
135-W11-1X	1.97	0.79	3/8-16	0.59	1.12	0.55	0.57
135-W30-1N	2.36	0.95	1/2-13	0.67	1.30	0.59	0.71



Thermoplastic Material

CROSS HANDWHEEL

Male



SPAENAUR

No.	D	d	d1	H	L	C	h
135-W26-1Y	1.58	0.63	1/4-20	0.95	0.50	0.45	0.49
135-W43-1T	1.58	0.63	1/4-20	0.95	1.00	0.45	0.49
135-W94-1K	1.58	0.63	5/16-18	0.95	1.00	0.45	0.49
135-W17-1T	1.58	0.63	5/16-18	0.95	1.25	0.45	0.49
135-W76-1Y	1.58	0.63	3/8-16	0.95	0.75	0.45	0.49
135-247	1.58	0.63	3/8-16	0.95	1.00	0.45	0.49
135-249	1.97	0.79	5/16-18	1.12	1.00	0.55	0.57
135-W45-1W	1.97	0.79	5/16-18	1.12	1.50	0.55	0.57
135-248	1.97	0.79	3/8-16	1.12	1.00	0.55	0.57
135-W44-1K	1.97	0.79	3/8-16	1.12	2.00	0.55	0.57
135-050	2.36	0.95	5/16-18	1.30	0.75	0.59	0.71
135-250	2.36	0.95	3/8-16	1.30	1.00	0.59	0.71
135-W77-1C	2.36	0.95	3/8-16	1.30	1.25	0.59	0.71
135-251	2.36	0.95	3/8-16	1.30	2.00	0.59	0.71
135-252	2.36	0.95	1/2-13	1.30	1.00	0.59	0.71
135-052	2.36	0.95	1/2-13	1.30	1.25	0.59	0.71
135-253	2.36	0.95	1/2-13	1.30	2.00	0.59	0.71

Thermoplastic Material

ALL ITEMS ON THIS PAGE - PKG QTY. 1

Handwheels

Molettes

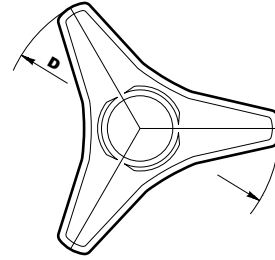
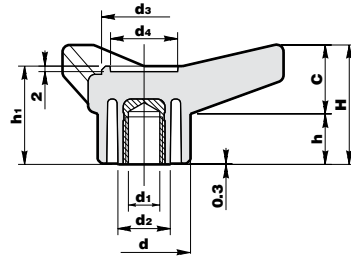


Inch

Pouce

3 - LOBE HANDWHEEL

Female



SPAENAUR No.

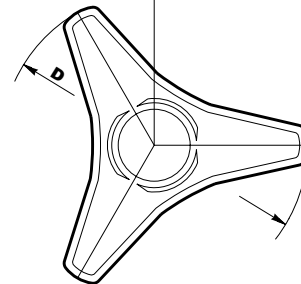
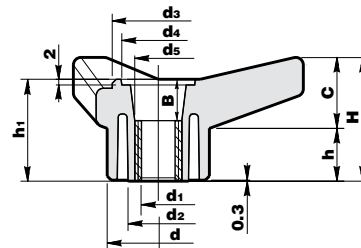
SPAENAUR No.	D	d	d1	d2	d3	d4	h	h1	H	C
135-053	1.77	0.63	1/4-20	-	0.57	0.39	0.39	0.69	0.83	0.43
135-254	1.77	0.63	5/16-18	-	0.57	0.39	0.39	0.69	0.83	0.43
135-255	2.56	0.87	5/16-18	-	0.83	0.59	0.47	0.91	1.10	0.63
135-256	2.56	0.87	3/8-16	-	0.83	0.59	0.47	0.91	1.10	0.63
135-054	3.35	1.18	5/16-18	0.71	1.06	0.79	0.59	1.18	1.42	0.83
135-W60-1M	3.35	1.18	3/8-16	0.71	1.06	0.79	0.59	1.18	1.42	0.83
135-056	4.14	1.38	3/8-16	0.79	1.26	0.95	0.75	1.46	1.77	1.02
135-057	4.93	1.65	1/2-13	1.02	1.58	1.06	0.87	1.73	2.09	1.20

Thermoplastic Material

J

3 - LOBE HANDWHEEL

Tapped Right Through



SPAENAUR No.

SPAENAUR No.	D	d	d1	d2	d3	d4	d5	h	h1	H	C	B
135-W05-1T	1.77	0.63	1/4-20	-	0.57	0.39	0.39	0.39	0.69	0.83	0.43	0.20
135-W18-1K	1.77	0.63	3/8-16	-	0.57	0.39	0.39	0.39	0.69	0.83	0.43	0.20
135-W19-1W	3.35	1.18	5/16-18	0.71	1.06	0.79	0.55	0.59	1.18	1.42	0.83	0.47
135-W61-1X	3.35	1.18	1/2-13	0.71	1.06	0.79	0.55	0.59	1.18	1.42	0.83	0.47
135-062	4.14	1.38	3/8-16	0.79	1.26	0.95	0.67	0.75	1.46	1.77	1.02	0.63
135-W78-1N	4.93	1.65	1/2-13	1.02	1.58	1.06	-	0.89	1.73	2.09	1.20	0.47

Thermoplastic Material

ALL ITEMS ON THIS PAGE - PKG QTY. 1

Inch

Pouce



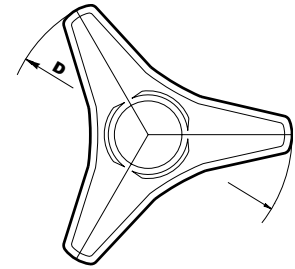
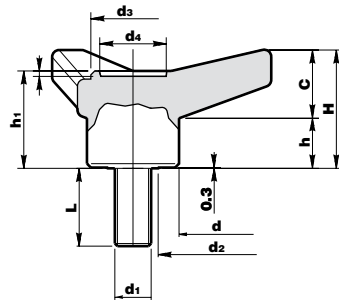
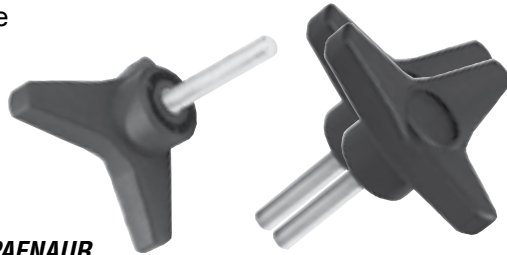
Handwheels

Molettes

A tolerance of $\pm 0.125"$ is possible on Boteco non-critical measurements.

3 - LOBE HANDWHEEL

Male



SPAENAUR
No.

	D	d	d1	d2	d3	d4	h	h1	H	C	L
135-258	1.77	0.63	1/4-20	-	0.57	0.39	0.39	0.69	0.83	0.43	0.50
135-257	1.77	0.63	1/4-20	-	0.57	0.39	0.39	0.69	0.83	0.43	1.00
135-W79-1T	1.77	0.63	1/4-20	-	0.57	0.39	0.39	0.69	0.83	0.43	1.25
135-259	1.77	0.63	5/16-18	-	0.57	0.39	0.39	0.69	0.83	0.43	0.50
135-260	1.77	0.63	5/16-18	-	0.57	0.39	0.39	0.69	0.83	0.43	1.00
135-W92-1N	2.56	0.86	5/16-18	-	0.83	0.59	0.47	0.91	1.10	0.63	1.00
135-065	2.56	0.86	5/16-18	-	0.83	0.59	0.47	0.91	1.10	0.63	1.25
135-262	2.56	0.86	3/8-16	-	0.83	0.59	0.47	0.91	1.10	0.63	1.00
135-W62-1A	2.56	0.86	3/8-16	-	0.83	0.59	0.47	0.91	1.10	0.63	1.25
135-264	3.35	1.18	3/8-16	0.71	1.06	0.78	0.59	1.18	1.41	0.83	1.00
135-263	3.35	1.18	3/8-16	0.71	1.06	0.78	0.59	1.18	1.41	0.83	1.50
135-265	3.35	1.18	1/2-13	0.71	1.06	0.78	0.59	1.18	1.41	0.83	1.00
135-266	3.35	1.18	1/2-13	0.71	1.06	0.78	0.59	1.18	1.41	0.83	1.50

Thermoplastic Material

4 - LOBE HANDWHEEL

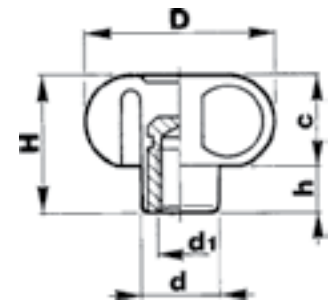
Female



SPAENAUR
No.

	D	H	d	d1	C	h
135-W80-1N	0.79	0.51	0.43	1/4-20	0.32	0.20
135-267	0.98	0.59	0.47	1/4-20	0.35	0.24
135-268	0.98	0.59	0.47	5/16-18	0.35	0.24
135-W20-1K	1.18	0.86	0.59	5/16-18	0.55	0.32
135-269	1.18	0.86	0.59	3/8-16	0.55	0.32
135-270	1.58	1.10	0.63	5/16-18	0.75	0.35
135-069	1.58	1.10	0.63	3/8-16	0.75	0.35
135-271	1.97	1.26	0.79	3/8-16	0.87	0.39
135-272	1.97	1.26	0.79	1/2-13	0.87	0.39
135-W81-1T	2.36	1.50	0.91	5/16-18	0.95	0.55
135-273	2.36	1.50	0.91	1/2-13	0.95	0.55

Thermoplastic Material



4 - LOBE HANDWHEEL

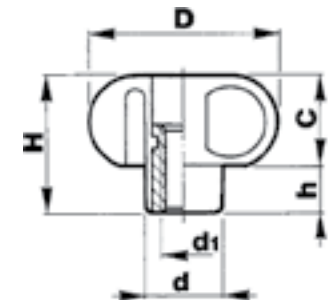
Tapped Right Through



SPAENAUR

No.	D	H	d	d1	C	h
135-W56-1K	1.57	1.10	0.63	1/4-20	0.75	0.35
135-072	1.57	1.10	0.63	5/16-18	0.75	0.35
135-274	1.57	1.10	0.63	3/8-16	0.75	0.35

Thermoplastic Material



ALL ITEMS ON THIS PAGE - PKG QTY. 1

Handwheels / "T" Handles

Molettes / Poignées en T



Inch

Pouce

A tolerance of ± 0.125 " is possible on Boteco non-critical measurements.

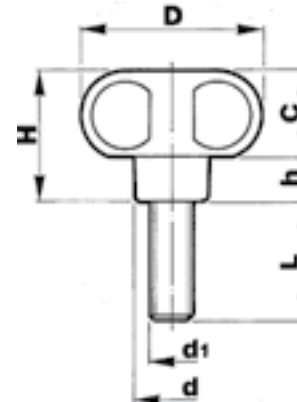
4 - LOBE HANDWHEEL

Male



SPAENAUR No.

	D	H	d	d1	L	C	h
135-W95-1W	0.99	0.59	0.47	1/4-20	0.50	0.35	0.24
135-275	0.99	0.59	0.47	1/4-20	1.00	0.35	0.24
135-W31-1T	1.18	0.87	0.59	1/4-20	1.00	0.55	0.32
135-195	1.18	0.87	0.59	1/4-20	1.25	0.55	0.32
135-074	1.18	0.87	0.59	5/16-18	1.00	0.55	0.32
135-196	1.18	0.87	0.59	5/16-18	1.25	0.55	0.32
135-198	1.18	0.87	0.59	3/8-16	1.00	0.55	0.32
135-197	1.18	0.87	0.59	3/8-16	1.25	0.55	0.32
135-W07-1W	1.58	1.10	0.63	5/16-18	1.00	0.75	0.35
135-W25-1P	1.58	1.10	0.63	5/16-18	1.50	0.75	0.35
135-075	1.58	1.10	0.63	3/8-16	1.00	0.75	0.35
135-201	1.58	1.10	0.63	3/8-16	1.25	0.75	0.35
135-202	1.97	1.26	0.79	3/8-16	1.00	0.87	0.39
135-W57-1W	1.97	1.26	0.79	3/8-16	1.50	0.87	0.39
135-204	1.97	1.26	0.79	1/2-13	1.00	0.87	0.39
135-203	1.97	1.26	0.79	1/2-13	1.50	0.87	0.39
135-W58-1M	2.36	1.49	0.91	1/2-13	1.50	0.95	0.55
135-205	2.36	1.49	0.91	1/2-13	2.00	0.95	0.55



Thermoplastic Material

J

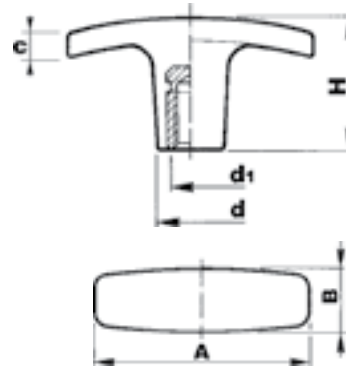
"T" HANDLE

Female



SPAENAUR No.

	A	H	c	d	d1	B
135-W47-1X	1.97	0.95	0.20	0.55	1/4-20	0.59
135-W03-1C	2.36	1.26	0.24	0.59	5/16-18	0.67



Thermoplastic Material

Also available with a moulded thread.

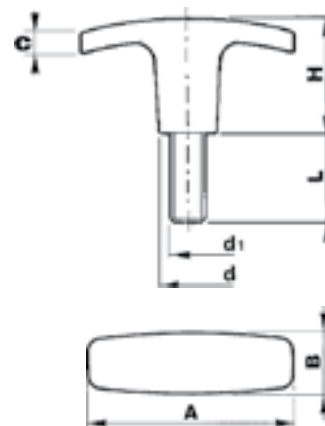
"T" HANDLE

Male



SPAENAUR No.

	A	H	c	d	d1	B	L
135-W82-1K	2.36	1.26	0.24	0.59	1/4-20,	0.67	.75



Thermoplastic Material

ALL ITEMS ON THIS PAGE - PKG QTY. 1

CATALOG 14

SPAENAUR