

Inch

Pouce



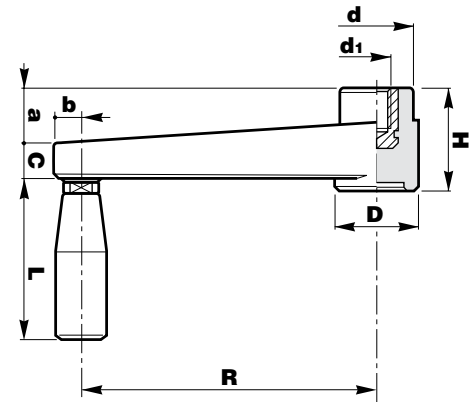
**Crank Handles / Bridge Handles**

**Poignées de manivelle / Poignées en pont**

A tolerance of  $\pm 0.125"$  is possible on Boteco non-critical measurements.

**CRANK HANDLE**

Female, with Metal Insert

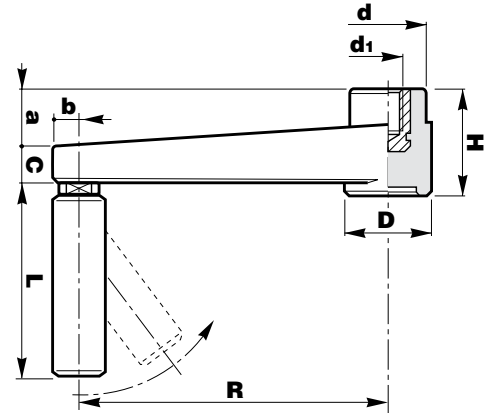


SPAENAUR No.	R	H	d	D	d1	C	a	L	b
135-118	3.15	1.30	1.02	1.22	5/16-18	0.51	0.71	2.21	0.43
135-W01-3P	4.33	1.54	1.14	1.34	3/8-16	0.55	0.99	2.60	0.47
135-120	5.52	1.93	1.38	1.69	1/2-13	0.63	1.38	2.99	0.51

Thermoplastic Material

**CRANK HANDLE**

With Folding Handle  
Female, with Metal Insert

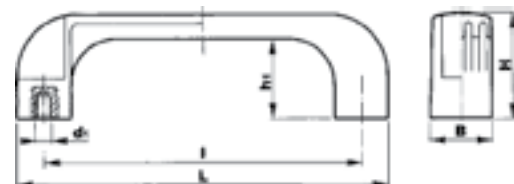


SPAENAUR No.	R	H	d	D	d1	C	a	L	b
135-121	3.15	1.30	1.02	1.22	5/16-18	0.51	0.71	2.21	0.43
135-122	4.33	1.54	1.14	1.34	3/8-16	0.55	0.99	2.60	0.47
135-W02-1Y	5.52	1.93	1.38	1.69	1/2-13	0.63	1.38	2.99	0.51

Thermoplastic Material

**BRIDGE HANDLE**

Female Insert



SPAENAUR No.	L	I	B	H	h1	d	d1
135-236	4.33	3.70	0.83	1.46	1.14	0.43	1/4-20
135-W86-1A	5.51	4.61	0.95	1.58	1.20	0.55	1/4-20
135-W46-1M	5.95	5.20	1.02	1.69	1.30	0.55	5/16-18
135-126	10.24	9.26	1.26	2.09	1.62	0.67	3/8-16

Thermoplastic Material

ALL ITEMS ON THIS PAGE - PKG QTY. 1

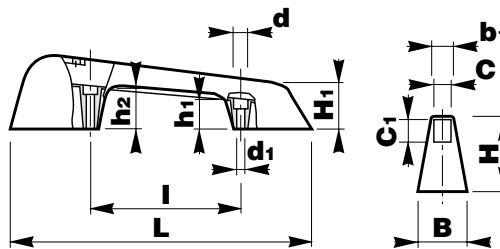
**Plastic Bridge Handles / Plastic Hinges**

Poignées de pont en plastique / charnières en plastique



Inch  
Pouce

**BRIDGE HANDLE**



SPAENAUR No.	L	I	B	b1	H	H1	h1	h2	d	d1	C	C1
135-127	10.56	5.20	1.73	0.79	2.52	1.81	3.39	1.34	0.53	0.33	0.61	0.81

Thermoplastic Material

PKG QTY. 1

A tolerance of ± 0.125" is possible on Boteco® non-critical measurements.



See more Boteco® Knobs, Handwheels & Handles on page J68-J80

J

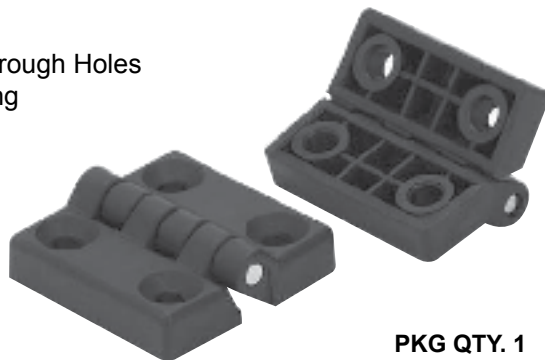
See pages L84 for Boteco® Plastic Hinges.

**HINGES**

Countersunk Through Holes  
Exterior Mounting

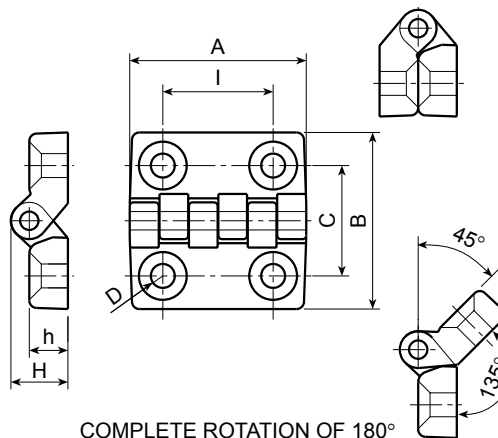
**MATERIAL:**  
Reinforced Polyamide.  
Oil and grease resistant.

**PIN:**  
Steel, zinc plated  
or Stainless Steel



PKG QTY. 1

**SURFACE:** Satin. **COLOUR:** Black.



COMPLETE ROTATION OF 180°

SPAENAUR No.	I	C	A	B	h	H	D	Pin Dia.	Pin Material
135-151	0.79	0.79	1.26	1.26	0.28	0.41	0.16	0.11	Steel
135-154	0.79	0.79	1.26	1.26	0.28	0.41	0.16	0.11	Stainless
135-W48-1A	1.18	1.18	1.89	1.89	0.41	0.57	0.26	0.19	Steel
135-155	1.18	1.18	1.89	1.89	0.41	0.57	0.26	0.19	Stainless
135-W32-1K	1.58	1.58	2.52	2.52	0.51	0.75	0.26	0.19	Steel
135-W06-1K	1.58	1.58	2.52	2.52	0.51	0.75	0.26	0.19	Stainless