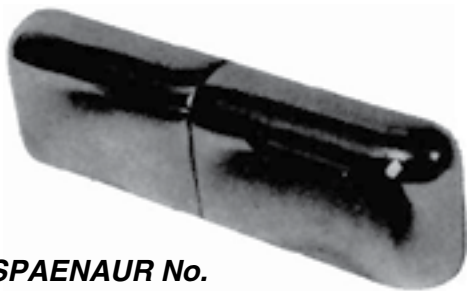


DIECAST 'BLOCK' HINGES



SPAENAUR No.		
Medium	Large	Finish
098-203	098-180	Raw
098-204	098-181	Chrome
098-205		Black

These neat 'block' hinges are ideal for metal cabinets, instrument panels, etc. They are not handed, and the upper part simply lifts onto a fixed, zinc plated steel pin.

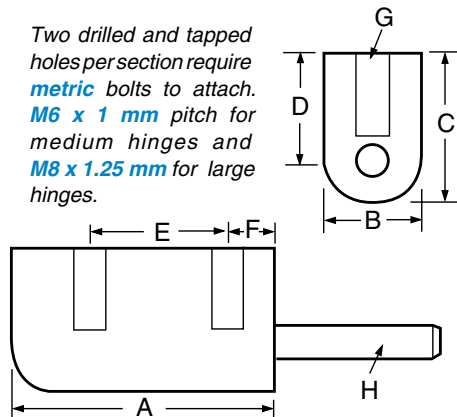
They are normally exterior-mounted, and rotation is completely free through 360°. Finish is either black, chromium plated or raw metal suitable for painting as part of an overall installation scheme.

PKG QTY. 1 2 Hinges (4 Pieces)



Dimensions - Block Hinges (one portion only is shown)

Two drilled and tapped holes per section require **metric bolts to attach. M6 x 1 mm pitch for medium hinges and M8 x 1.25 mm for large hinges.**



Dimensions	Medium	Large
A. Length (1/2 total)	1.50"	2.00"
B. Width	0.62"	0.75"
C. Height	0.75"	1.12"
D. Height to pin	0.44"	0.75"
E. Location	0.75"	1.00"
F. Location	0.35"	0.50"
G. Hole Dia.	6 mm	8 mm
Hole depth	0.3"	0.5"

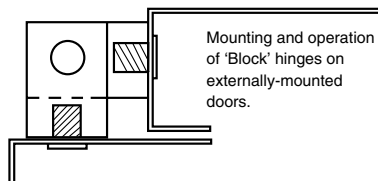
'BLOCK' HINGES in Stainless Steel

Here is a simple concept which can solve a lot of trouble for cabinet-builders and sheet metalworkers!

Available in two standard sizes, the stainless steel versions will completely overcome problems of corrosion, staining and binding-up which can occur in damp or chemically-active environments.

SPAENAUR No.	
098-821	Small Block Hinge
098-822	Medium Block Hinge

PKG QTY. 1 2 Hinges (4 Pieces)



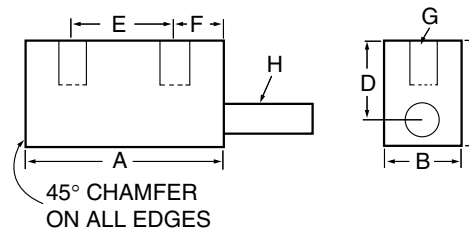
Our 'block' hinges represent a convenient and attractive way of mounting externally-fitted doors. They are tapped to accept metric screws or studs, **M5 x 0.80** (small) and **M6 x 1.00** (medium). (Special volume orders can be supplied in chemically-blackened or bright polished finish).



Features:

- Attractive satin finish with chamfered edges.
- Block and pin is Grade 303 Stainless.
- Two standard sizes from stock.
- Ready-lubricated for smooth action.

Two drilled and tapped holes per section require **metric bolts to attach. M5 x 0.80 mm pitch for small hinges and M6 x 1.00 mm pitch for medium hinges.**



Dimensions	Small	Medium
A. Length (1/2 total)	1.260"	1.496"
B. Width	0.512"	0.512"
C. Height	0.629"	0.748"
D. Height to pin	0.374"	0.433"
E. Location	0.629"	0.748"
F. Location	0.315"	0.354"
G. Hole Dia.	5 mm	6 mm
Hole depth	0.295"	0.295"
H. Pin size	0.236"	0.236"