

Binder Posts & Binder Post Assemblies

Inch

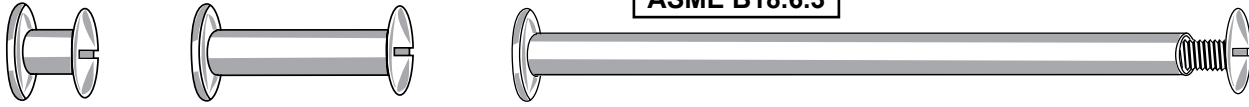
Assemblages de poteaux de reliure et de reliure

Pouce


BINDER POSTS (BARREL NUTS) & SCREWS

ALUMINUM, BRASS & STEEL
As used in Binders, Albums, etc.

ASME B18.6.3



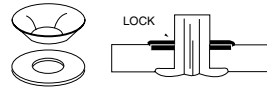
ORDER BY SPAENAUR NUMBERS LISTED BELOWNOTE: SCREWS NOT INCLUDED WITH POSTS. Must be ordered separately.

BINDER POSTS			SCREWS			EXTENSIONS	
32 Female Thread. Body 13/64" Dia. PKG QTY. 100			8-8-32 Thread - Truss Slot Head Machine Screws PKG QTY. 100			8-32 Male & Female Threads PKG QTY. 25	
Length Under Hd.	Aluminum		Aluminum	Plain Brass	Zinc-Plated Steel	Aluminum	
	Plain	Brass Anodized				Barrel Length	SPAENAUR No.
1/4"	193-011		MS-3000 (1/4"L)	400-B03-1N (3/16"L)	380-F35-1T (1/4"L)		8-32 Thread
1/4"	*N-152A						
3/8"	193-004						
3/8"	*N-153A						
1/2"	193-E03-1P						
5/8"	*193-001						
5/8"	N-155A						
3/4"	193-E02-1A	192-011					
1"	N-157A	192-012					
1-1/4"	N-158A						
1-1/2"	N-159A						
1-3/4"	N-160A						
2"	N-161A						
2-1/2"	N-162A						
3"	N-163A						
3-1/2"	193-005						
4"	193-006						
4-1/2"	193-007						
5"	193-008						
6"	193-010						

* Indicates "tapped through head" style.

Spenaaur No. 699-W01-1M
CONE and FLAT LOCKWASHER SETS

STEEL, Nickel Plated
for 3/16" Diameter
Metal Posts
PKG QTY. 100



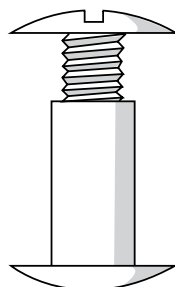
For Permanently fastening loose leaf binding posts. Used without flat washer when locking to metal only.

Molded THREADED PLASTIC POST & SCREWS (Barrel Nuts) of Clear Cellulose Acetate Butyrate

NOTE: SCREWS NOT INCLUDED WITH POSTS. Must be ordered separately.
All Posts are 8-32 Thread, 7/32" O.D. (Unslotted). Screws are 8-32 Thread, Truss Head (Slotted).



These low cost attractive fastener sets consist of a female threaded, headed bushing and mating slotted-head machine screw. They are used for binding various materials such as flexible plastic, leather, fabric and paper for swatch books, key cases etc. Can also be used as insulating fasteners.



SPAENAUR No.	Description	Length Under Head	PKG QTY.
190-001	Post	1/4"	100
190-002	Post	3/8"	100
190-003	Post	1/2"	100
190-004	Post	5/8"	100
190-005	Post	3/4"	100
190-006	Post	7/8"	100
190-007	Post	1"	100
190-008	Screw	8-32 x 1/4"	100
190-009	Screw	8-32 x 3/8"	100
190-046	Screw	8-32 x 1/2"	100

Inch

Binder Post Assemblies

Pouce

Ensembles de manchons taraudés

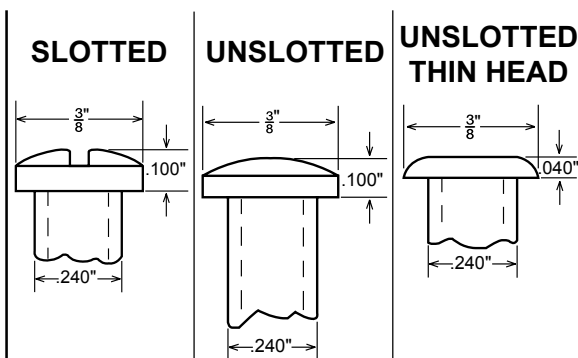
Rapid Assembly Post and Screw

Bind together punched papers, fabric swatches, key cases and a multitude of other objects.

Rapid Assembly Posts are manufactured in polyethylene. Rapid Assembly Screws are manufactured in nylon.

PKG QTY. 100 of a Size
(Posts and Screws)

BINDER HEAD STYLES

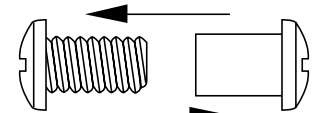


NO SPECIAL TOOLS REQUIRED

SIMPLY PRESS TOGETHER FOR FAST EASY ASSEMBLY

ORDER BY SPAENAUR NUMBERS LISTED BELOW

ORDER BY SPAENAUR NUMBERS LISTED BELOW			LENGTH	COLOUR
190-010	190-011	190-012	1/4"	WHITE
190-013	190-014	190-015	1/4"	BLACK
190-016	190-017	190-018	3/8"	WHITE
190-019	190-020	190-021	3/8"	BLACK
190-022	190-023	190-024	1/2"	WHITE
190-025	190-026	190-027	1/2"	BLACK
190-028	190-029	190-030	3/4"	WHITE
190-031	190-032	190-033	3/4"	BLACK
190-034	190-035	190-036	7/8"	WHITE
190-037	190-038	190-039	7/8"	BLACK
190-040	190-041	190-042	1"	WHITE
190-043	190-044	190-045	1"	BLACK



.250" length screw used with 1/4" post.

.375" length screw used with 3/8" through 3/4" post.

.690" length screw used with 7/8" through 1" post.

SPAENAUR
Fasteners Right Now®

See Pages C204-C206 for
Rivet Nuts



Binder Posts / Shoulder Bolts

Inch

Poteaux de reliure / Boulons d'épaulement

Pouce

SLEEVE NUTS - BRASS, STEEL, AND ALUMINUM

Illustration	SPAENAUR No.	Thread	Barrel Dia.	Head Dia.	Length	Material	Finish	Particulars	PKG QTY.
	192-007	6-32	3/16"	1/4"	1/4"	Brass	Nickel	Oval, Slot Hd.	50
	192-006	6-32	3/16"	9/32"	3/8"	Brass	Nickel	Oval, Slot Hd.	50
	2290	6-32	3/16"	1/4"	1/2"	Brass	Nickel	Oval, Slot Hd.	50
	703	8-32	1/4"	11/32"	3/8"	Brass	Nickel	Oval, Slot Hd.	50
	B-1432 N-260	8-32 8-32	13/64" 13/64"	5/16" 5/16"	1/2" 3/4"	Brass Brass	Plain Plain	Flat, Slot Hd. tapped through hd.	100 100
	704	10-32	1/4"	11/32"	3/8"	Brass	Nickel	Oval, Slot Hd.	50
	N-71	10-32	1/4"	3/8"	19/32"	Steel	Nickel	Oval Slot Hd.	100
	191-027 2006	10-32 10-32	1/4" 1/4"	3/8" 3/8"	.210" 5/16"	Steel	Zinc	Binding, Slot Hd. (tapped through hd.)	100 100
	N-288	10-24	1/4"	7/16"	1/2"	Steel	Chrome	Phillips Truss Hd. (serrated under hd.)	100
	193-E01-1X 193-164	1/4"-20 1/4"-20	3/8" 3/8"	9/16" 9/16"	1/4" 7/8"	Alum.	Plain	Truss, Slot Hd.	100 100

Barrel Nuts and Shoulder Screws

TRUSS HEAD ONE-WAY SLOTTED CHROME PLATED

PKG QTY. 50



See page P23 for UN-DO-IT Tool.

Barrel Nuts

10-24 FEMALE THREAD
Head Dia. 7/16"
Barrel Dia. 15/64"

SPAENAUR No.	Length Under Head	Thread Depth	Material
191-018	1/2"	3/8"	STEEL
191-019	5/8"	1/2"	STEEL
192-009	1/2"	3/8"	BRASS
192-010	5/8"	1/2"	BRASS



10-24 MALE THREAD
Head Dia. 7/16"
Barrel Dia. 15/64"

Shoulder Screws

SERRATED UNDER HEAD

SPAENAUR No.	Length Under Head	Approx. Barrel Length	Approx. Thread Length	Material
381-014	3/4"	5/32"	1/2"	STEEL
381-015	15/16"	1/4"	5/8"	STEEL
381-016	1-1/16"	1/4"	1/2"	STEEL
381-017	1-3/16"	9/32"	3/4"	STEEL
381-018	1-5/16"	1/4"	1"	STEEL
381-538	3/4"	1/8"	5/8"	BRASS
381-539	15/16"	1/4"	5/8"	BRASS
381-540	1-1/16"	1/4"	5/8"	BRASS
381-541	1-3/16"	1/4"	11/16"	BRASS
381-542	1-5/16"	5/32"	1"	BRASS

CATALOG 14

SPAENAUR