

Inch

Auto Cushion Clips / Crimping Tools

Pouce

Agrafes de coussins d'automobile / Outils de sertissage

STEEL SEAT COVER "S" HOOKS



Actual Size

Spaenaur No. C-904

Small Size

PKG QTY. 500

SEAT CUSHION UPHOLSTERY CLIP



Spaenaur No. 7578

Steel, self-colour.

PKG QTY. 500

CUSHION CLIPS (Hog Rings)

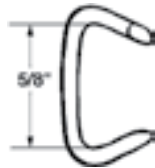
New improved style — sharp points! Precision clinch with overlapping legs. No points exposed. Grips tighter. Prevents ripping or tearing of fabrics, upholstery, door panels, trim work.



Spaenaur No. 7435-A

Plain Steel

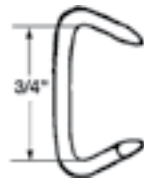
(Approx. 842 per lb.)



Spaenaur No. 7435

Plain Steel

(Approx. 530 per lb.)



Spaenaur No. 7595

Plain Steel

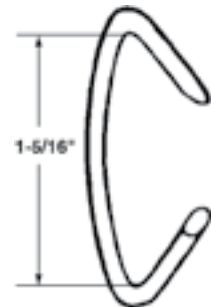
(Approx. 486 per lb.)



Spaenaur No. 7644

Plain Steel

(Approx. 350 per lb.)



Spaenaur No. B-1914

Coppered Finish Steel

PKG QTY. 100

PKG QTY. 1 lb.

CUSHION CLIP PLIERS

Spaenaur No. 7434

Thin Nose — Straight



Overall length 7"

Will close all Cushion Clips except B-1914.

PKG QTY. 1

Spaenaur No. T-148

7" long



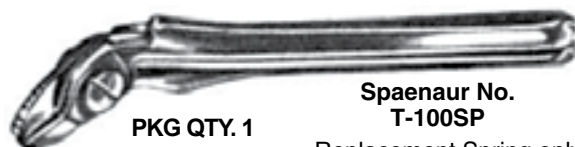
45° Angle

High Grade Steel — Top Quality

Will close all Cushion Clips except B-1914.

PKG QTY. 1

Overall length 6-1/4"
Bent type.



PKG QTY. 1

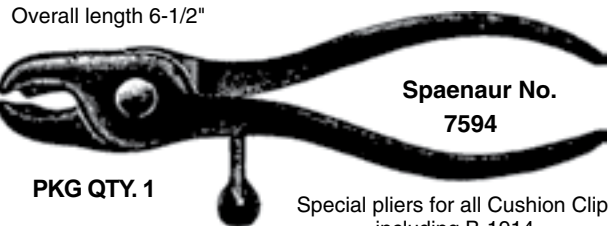
Spaenaur No. T-100

Angled — Spring Grip With opening spring.

Spaenaur No. T-100SP

Replacement Spring only

Will close all Cushion Clips except 7644 and B-1914.



PKG QTY. 1

Spaenaur No. 7594

Special pliers for all Cushion Clips including B-1914.

Spaenaur No. 876-1578

For Cushion Clip No. 7644.
Cold Forged Steel / Zinc Plated
Vinyl Red Handle



PKG QTY. 1

CATALOG 14

SPAENAUR

M

Cushion Springs / Clips

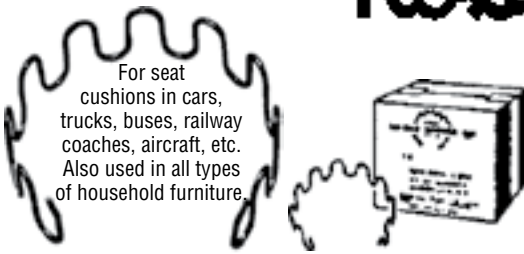
Inch

Ressorts / Clips pour sièges

Pouce


no-sag Springs

For seat cushions in cars, trucks, buses, railway coaches, aircraft, etc. Also used in all types of household furniture.



CUT LENGTHS

SPAENAUR No.	Gauge	Length
M-94	11	17-5/8"
856-B01-1M	12	17-1/2"
M-96	12	19"
M-97	12	20-1/2"

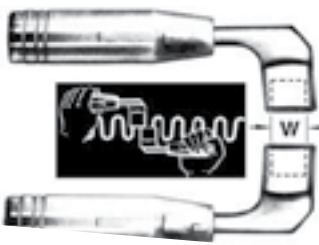


Standard Bent Ends

PKG QTY. 200 LENGTHS

Cut lengths are furnished with standard bent ends, as shown. Available from stock only in specific lengths as featured above. Special lengths processed to order, in minimum runs of 200 pieces per length.

UPHOLSTERY SPRING BENDER
Portable, Lightweight

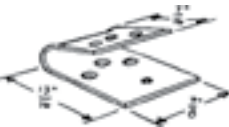


Overall length 6-3/8"

SPAENAUR No.	W (Width)	PKG QTY.
T-224	1"	1 Pair
876-733	2"	1 Pair

NO-SAG CLIPS

SPAENAUR No. B-1619




Use 12 ga. nails
PKG QTY. 500

A four nail clip, permitting choice of using 1 or 2 nails on lip. For average and heavy duty wood frame back and seat construction. Also used whenever springs are to be hung inside the rail. Supplied with lining.

SEAT HELICALS

15 ga.
1/2" O.D.




SPAENAUR No.

B-668 2" length for 4" spacing
B-669 3" length for 5" spacing
B-670 4" length for 6" spacing

PKG QTY. 100

BACK HELICALS

17 ga.
1/2" O.D.



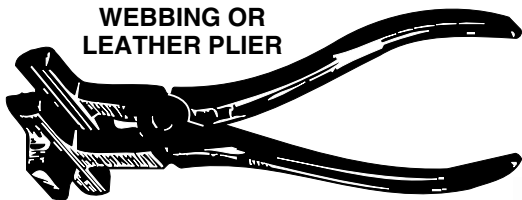
SPAENAUR No.

B-671 2" length for 4" spacing
B-672 3" length for 5" spacing

PKG QTY. 100

See Page M39 for more Upholsters Tools

WEBBING OR LEATHER PLIER



NYLON & POLYESTER WEBBING



WEBBING STRETCHER



M