

Hood Fastener Straps & Clamps

Inch

Attaches et crochets pour capot

Pouce

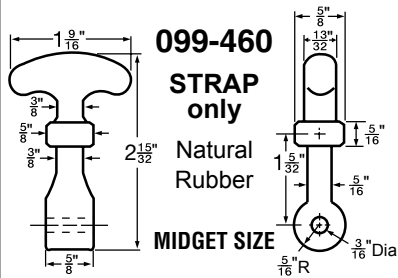
They
"Keep Things
Q-U-I-E-T"



099-450-A Fastener
Complete as shown
PKG QTY. 1

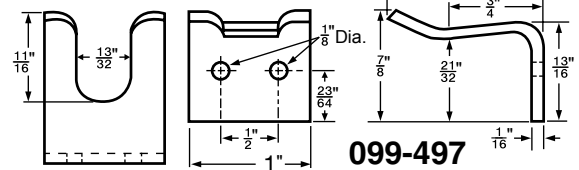
... low cost, easy to install
truck hood, battery box, hatch cover fasteners

Snug-fit fastening with never a squeak! Neat, trim appearance.

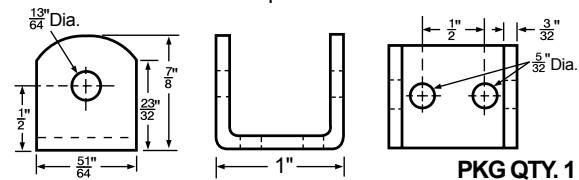


099-460
STRAP
only
Natural Rubber
MIDGET SIZE
(Components of 099-450-A)
233-F16-1N Clevis Pin &
CP-2012 Cotter Pin
or
380-F72-1N Machine
Screw & **HN-172** Lok-Nut
PKG QTY. 1

Top Bracket - Component of 099-450-A



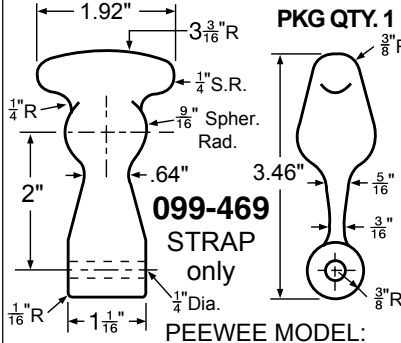
099-497



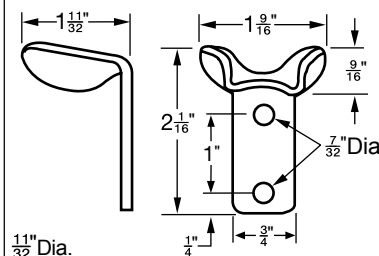
099-498 Lower Bracket - Component of 099-450-A
PKG QTY. 1



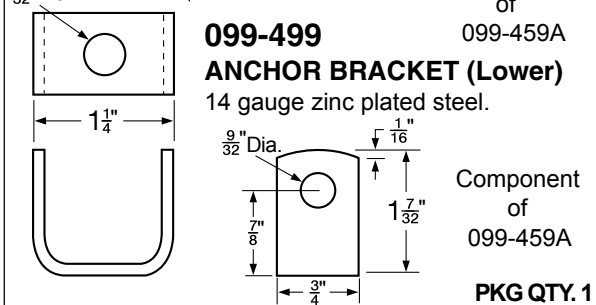
099-459A Fastener
Complete as shown
PKG QTY. 1



099-469
STRAP
only
PEEWEE MODEL:
Ideal size for small hoods and access
panels.
EPDM Compound.
(Components of 099-459A)
HC-14 Hex. Bolt &
178-C03-1N Lok-Nut
or
233-F81-1T Clevis Pin &
CP-2012 Cotter Pin
PKG QTY. 1



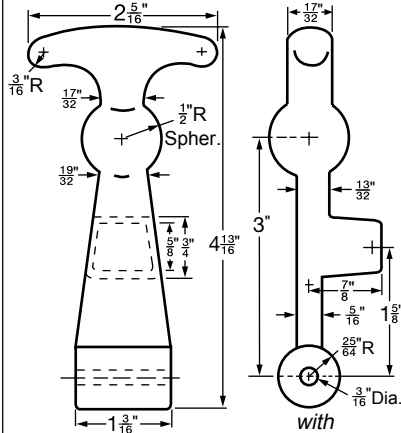
099-456
HOOD (Top)
BRACKET
Stem-down type,
12 gauge zinc
plated steel.
Component
of
099-459A



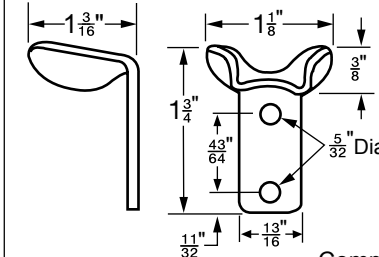
099-499
ANCHOR BRACKET (Lower)
14 gauge zinc plated steel.
Component
of
099-459A
PKG QTY. 1



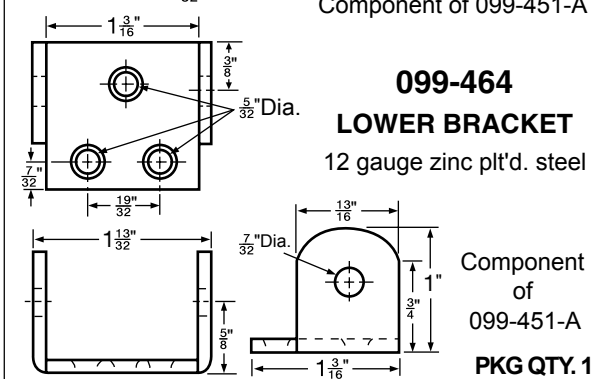
099-451-A Fastener
Complete as shown
PKG QTY. 1



099-B05-1X
Natural Rubber
COMPACT
MODEL
anti-rattle nub.
STRAP
only
(Components of 099-451-A)
233-F08-1M Clevis Pin & **CP-2012** Cotter Pin
or
MS-64 Machine Screw & **HN-172** Lok-Nut
PKG QTY. 1



099-453
HOOD (Top)
BRACKET
Stem-down type
14 gauge zinc
plated steel.
Component of 099-451-A



099-464
LOWER BRACKET
12 gauge zinc pl't'd. steel
Component
of
099-451-A
PKG QTY. 1

Inch

Pouce

Hood Fastener Straps & Clamps

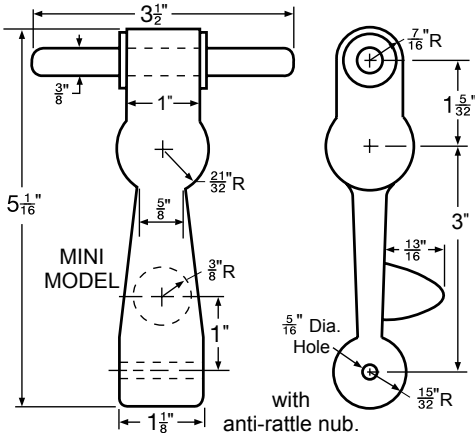
Attaches et crochets pour capot



PKG QTY. 1

099-458A
Complete FASTENER (with mounting hardware)

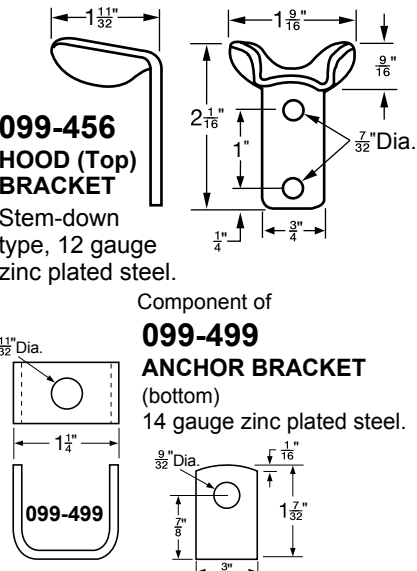
STRAP DATA



Excellent size for securely fastening battery box covers in limited space.
EPDM Compound

099-B02-1K Strap Only (with Grasp)
(Components of)
HC-14 Hex. Bolt & **178-C03-1N** Lok-Nut or
233-F81-1T Clevis Pin & **CP-2012** Cotter Pin

MOUNTING HARDWARE



099-456 HOOD (Top) BRACKET
Stem-down type, 12 gauge zinc plated steel.
Component of

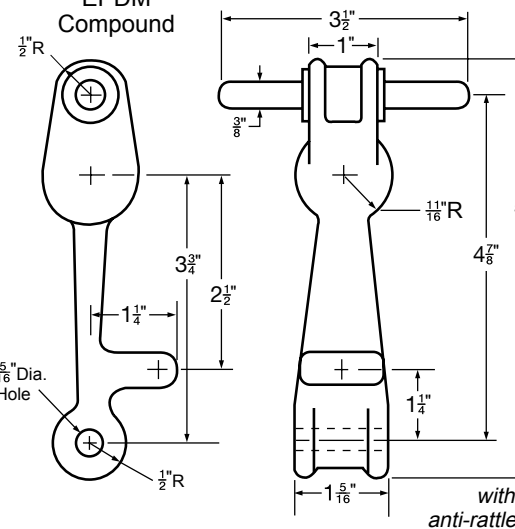
099-499 ANCHOR BRACKET (bottom)
14 gauge zinc plated steel.
Component of **099-458A**



PKG QTY. 1

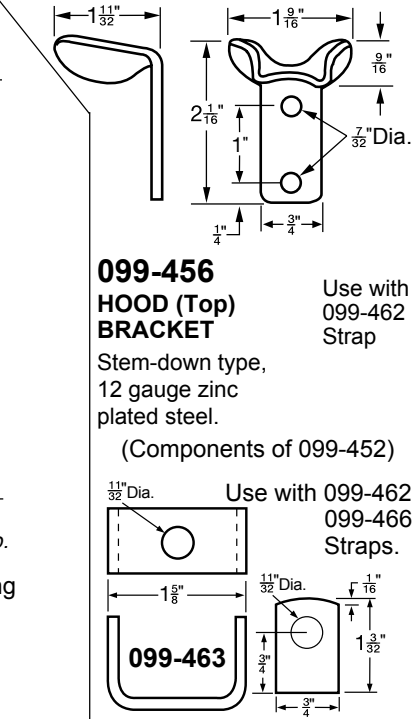
099-452
Complete FASTENER (with mounting hardware)

EPDM Compound



STAR MODEL:
Our standard model. Especially suited to fastening truck hoods and for heavy duty applications.

099-462 STRAP only (with Grasp)
(Components of 099-452)
HC-142 Hex. Bolt & **HN-178** Lok-Nut or
233-F38-1Y Clevis Pin & **CP-2014** Cotter Pin



099-456 HOOD (Top) BRACKET
Stem-down type, 12 gauge zinc plated steel.
(Components of 099-452)
Use with 099-462 Strap

099-463 ANCHOR BRACKET (lower)
11 gauge zinc plated steel.
Use with 099-462 099-466 Straps.

Mounting Screws not included.

NOTE: EPDM and NR compounds are compared on page R19.

See Condensed List on Page L94.

N.B. - The parts required to attach the strap to the lower bracket are shown below each strap data picture, and consist of an Anchor Bolt with Lok-Nut or Clevis Pin with Cotter.

CATALOG 14

SPAENAUR

Hood Fastener Straps & Clamps

Inch

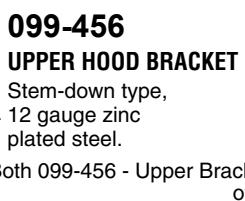
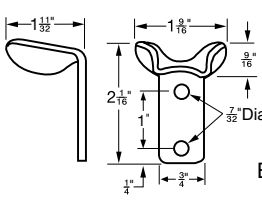
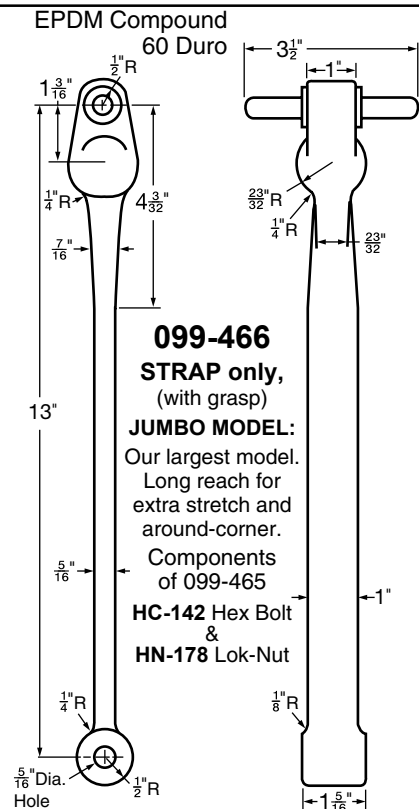
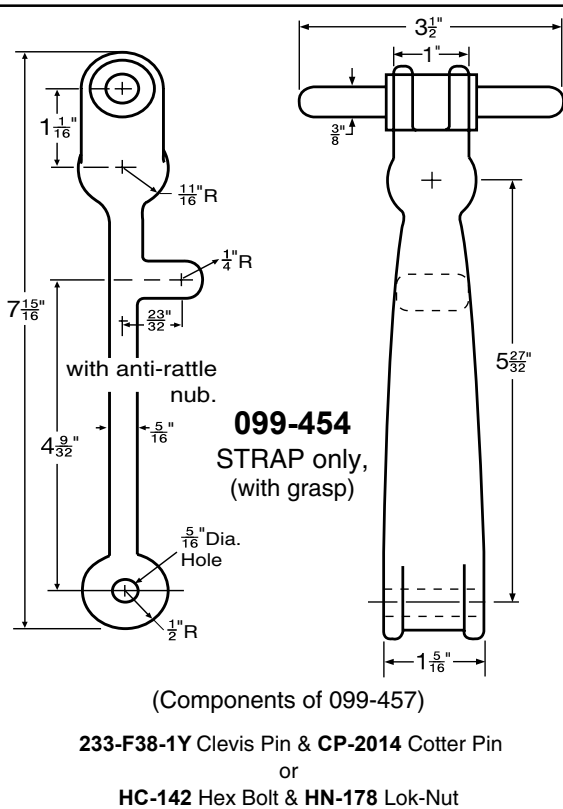
Attaches et crochets pour capot

Pouce



099-457 FASTENER
Complete with mounting hardware.

099-465 FASTENER
- Jumbo Model -
(Not shown - Details at extreme right)



Both 099-456 - Upper Bracket and 099-455 - Lower Bracket are components of 099-457 and 099-465.

Condensed Listing of Hood Fastener Straps and component Metal Hardware

complete FASTENER as shown above SPAENAUR No.	STRAP Free Overall Length	Fastener STRAP only (with Grasp)	PKG QTY. (Less Screws)	Strap Substance or Compound See compound characteristics on page R19.	Component HARDWARE PARTS See "Complete Fastener" No's. (also available separately)
099-450-A	2-15/32"	099-460	1	Natural Rubber	099-497 Top Brk't; 099-498 Bot. Brk't; 233-F16-1N Clevis Pin; CP-2012 Cotter Pin; or, 380-F72-1N Machine Screw; HN-172 Lok Nut.
099-459-A	3-3/64"	099-469	1	EPDM Compound - 60 Duro	099-456 Top Brk't; 099-499 Bot. Brk't; HC-14 Hx. Bolt; 178-C03-1N Lok Nut; or 233-F81-1T Clevis Pin; CP-2012 Cotter Pin.
099-451-A	4-13/16"	099-B05-1X	1	Natural Rubber	099-453 Top Brk't; 099-464 Bot. Brk't; 238-F08-2M Clevis Pin; CP-2012 Cotter Pin; or, MS-64 Machine Screw; HN-172 Lok Nut.
099-458-A	5-1/16"	099-B02-1K	1	EPDM Compound 60 Duro	099-456 Top Brk't; 099-499 Bot. Brk't; HC-14 Hx. Bolt; 178-C03-1N Lok Nut; or 233-F81-1T Clevis Pin; CP-2012 Cotter Pin.
099-452	5-7/8"	099-462	1	EPDM Compound 60 Duro	099-456 Top Brk't; 099-463 Bot. Brk't; HC-142 Hx. Bolt; HN-178 Lok Nut; or 233-F38-1Y Clevis Pin; CP-2014 Cotter Pin.
099-457	7-15/16"	099-454	1	EPDM Compound 60 Duro	099-456 Top Brk't; 099-455 Bot. Brk't; 233-F38-1Y Clevis Pin; CP-2014 Cotter Pin; or, HC-142 Hx. Bolt; HN-178 Lok Nut.
099-465	C. to C. 13"	099-466	1	EPDM Compound 60 Duro	099-456 Top Bracket; 099-455 Bottom Anchor; HC-142 Cap Screw; HN-178 Lok Nut.

Mounting screws not included For Component HARDWARE PART Contact Sales Desk For Package Quantities