

Assortments Storage

Inch

Assortiment de stockage

Pouce

**SPAENAUR**  
**REGULAR SIZE**  
**Assortments**

**13-3/8" x 9-1/4" x 2"**

- All "REGULAR SIZE" Assortments are put up in durable, welded STEEL drawers with hinged lid, and are finished in Grey enamel.
- Inside lid label shows stock numbers and size data.
- All drawers have SCOOPED bins, for easy removal of contents.
- Individual refill items always available in Unit Packages, as catalogued.
- SPAENAUR Regular Size Assortments are ideal for garages, industrial plants, service trades, schools, etc.
- Matching empty drawers are also available. (See pages A120 and A121.)



Typical  
**"REGULAR SIZE"**  
**Assortment**

(See page A3 for  
"Large Size" Assortments.)

PKG QTY. 1

**STORAGE - SLIDE RACKS**

For Organized Storage of Your

**SPAENAUR**

**"REGULAR SIZE" Assortments Only**

**No. 814-406**

**15-1/4" W x 11-3/4" D x 16-3/8" H**

Shipping weight **14.5 kg** (32 lbs.)

**Accommodates 6 Drawers - Regular size**

13-3/8" W x 9-1/4" D x 2" H

**No. 814-404**

**15-1/4" W x 11-3/4" D x 11-1/4" H**

Shipping weight **10 kg** (22 lbs.)

**Accommodates 4 Drawers - Regular size**

13-3/8" W x 9-1/4" D x 2" H

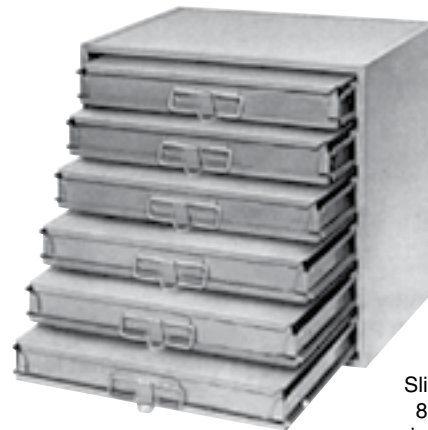
**No. 814-751**

**15-1/4" W x 11-3/4" D x 6-1/4" H**

Shipping weight **5.5 kg** (12 lbs.)

**Accommodates 2 Drawers - Regular size**

13-3/8" W x 9-1/4" D x 2" H



Slide Rack  
814-406  
is shown.

**SLIDE RACK**

(Drawers not included)

- Heavy-duty Steel
- All Welded Construction
- Grey Enamel Finish

**SPAENAUR**  
**REGULAR SIZE ASSORTMENTS**  
**are for YOU!**

CATALOG 14

SPAENAUR

Inch

Assortments Storage

Pouce

Assortiment de stockage



# SPAENAUR LARGE SIZE Assortments

18" x 12" x 3"

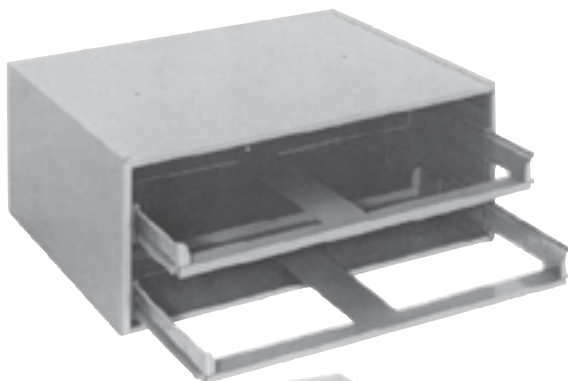
- All "LARGE SIZE" Assortments are put up in welded STEEL drawers with hinged lid, and finished in Grey enamel.
- Inside lid label shows stock numbers and size data.
- All drawers have SCOOPED bins, for easy removal of contents.
- Individual refill items always available in Unit Packages, as catalogued.
- Matching empty drawers are also available. See pages A120 - A123.

PKG QTY. 1

## Typical "LARGE SIZE" Assortment

Roomy compartments provide generous storage space.

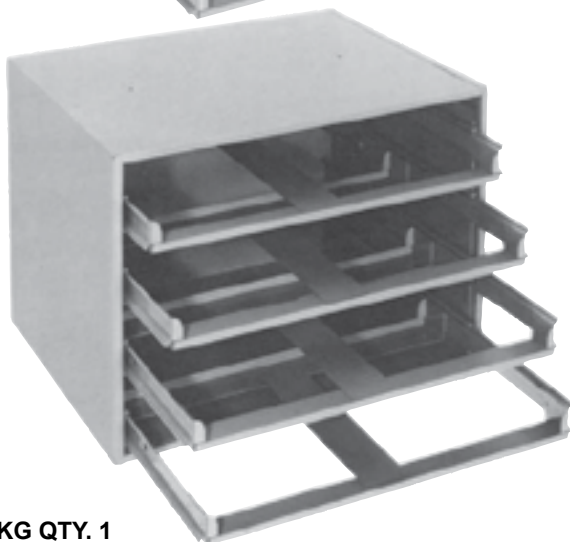
(See also page A2 for "Regular Size" Assortments.)



## STORAGE - SLIDE RACKS

(Drawers not included)

For Organized Storage of Your  
**SPAENAUR**  
"LARGE SIZE" Assortments.



PKG QTY. 1

### No. 814-754

20" W x 15-3/4" D x 8-1/8" H

Shipping weight **9.5 kg** (21 lbs.)

Accommodates 2 "LARGE SIZE" Drawers

18" W x 12" D x 3" H

### No. 814-604

20" W x 15-3/4" D x 15" H

Shipping weight **13.2 kg** (29 lbs.)

Accommodates 4 "LARGE SIZE" Drawers

18" W x 12" D x 3" H

STEEL SLIDE RACK ONLY (Drawers not included)

CATALOG 14

SPAENAUR