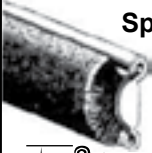


Inch

Flexible Weatherstrips / Rubber Channel Tools

Pouce

Bourealets d'étanchéité flexibles / Outils pour profilés en caoutchouc

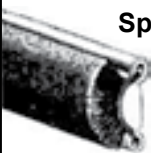


Spaenaur No. C-9 CONTOUR WEATHERSTRIPS WITH STAINLESS STEEL BEAD

Flexible steel core. Rubber covered. Wool pile fabric. Used on many cars and trucks since 1945, especially on hardtops.

Top bead is stainless steel.
Bottom bead is galvanized steel.

PKG QTY. 6 Lengths (96")

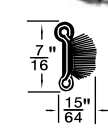



Spaenaur No. 4912 CONTOUR WEATHERSTRIPS WITH STAINLESS STEEL BEAD

Flexible steel core. Rubber covered. Wool pile fabric. Used on many cars and trucks since 1945, especially on hardtops.

Top bead is stainless steel.
Bottom bead is black plated.


PKG QTY. 6 Lengths (96")




Spaenaur No. C-54 CONTOUR WEATHERSTRIPS

Flexible steel core. Rubber covered. Wool pile fabric. Top edge is beadless. Bottom edge has black bead. Used as belt and contour weatherstrips on many cars since 1935.

PKG QTY. 6 Lengths (96")

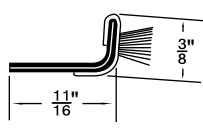
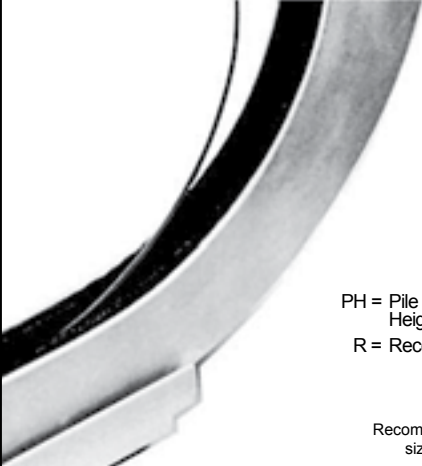



Spaenaur No. C-55 96" long CONTOUR WEATHERSTRIPS FLEXIBLE DRAFT STRIP

For automotive, industrial, construction and household usage. Forms draft-proof cushion between glass and lower garnish moulding.

Wool pile fabric. Rubber covered. Flexible steel core. Beadless.

PKG QTY. 6 Lengths (96")

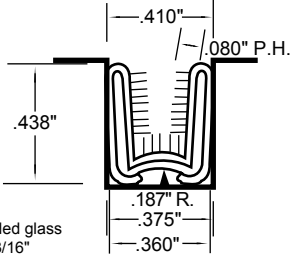



For use in: Cabs, combines, earth moving equipment, trucks, bus windows, boat windows, delivery trucks, curved windows, recreational windows and sashless windows. ● Flexible in all directions ● Economical and easy to use ● Installs easily ● Guaranteed long life ● Replaces rigid channels ● Rot, mildew and corrosion resistant.

Flexible Channel

Flexible Steel Core
Woven Black Pile Lining
Black Cloth Covering

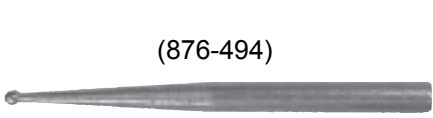
Spaenaur No.
825-314 **PKG QTY. 500 Feet**
825-347 **PKG QTY. 100 Feet**



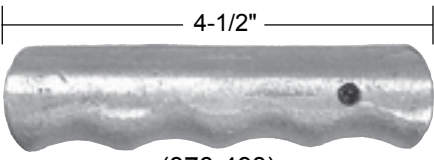
PH = Pile Height
R = Recess

Recommended glass size is 3/16"

E-Z Lock Tools



(876-494)




4-1/2"

(876-493)


PKG QTY. 1

FOR INTEGRAL LOCK, ONE PIECE SELF-SEALING WEATHERSTRIPS



Spaenaur No.
876-493 Aluminum Handle
876-494 Straight Bit
876-591 Cornering Bit (Right Hand)

Please Note: Above items are NOT sold as a unit, but must be ordered separately.



Spaenaur No. 876-496

Nylon Spatula for glass insertion into rubber channel, tucking in cut ends, etc.

8" Overall Length.

TOOL PULLS THE LOCKING STRIP INTO THE RETAINER CHANNEL

CATALOG 14 SPAENAUR