

**Assortments Storage**

Inch

**Assortiment de stockage**

Pouce

**SPAENAUR  
REGULAR SIZE  
Assortments**

**13-3/8" x 9-1/4" x 2"**

- All "REGULAR SIZE" Assortments are put up in durable, welded STEEL drawers with hinged lid, and are finished in Grey enamel.
- Inside lid label shows stock numbers and size data.
- All drawers have SCOOPED bins, for easy removal of contents.
- Individual refill items always available in Unit Packages, as catalogued.
- SPAENAUR Regular Size Assortments are ideal for garages, industrial plants, service trades, schools, etc.
- Matching empty drawers are also available. (See pages A120 and A121.)



Typical  
**"REGULAR SIZE"  
Assortment**

(See page A3 for  
"Large Size" Assortments.)

PKG QTY. 1

**STORAGE - SLIDE RACKS**

For Organized Storage of Your

**SPAENAUR**

**"REGULAR SIZE" Assortments Only**

**No. 814-406**

**15-1/4" W x 11-3/4" D x 16-3/8" H**

Shipping weight **14.5 kg** (32 lbs.)

**Accommodates 6 Drawers - Regular size**

13-3/8" W x 9-1/4" D x 2" H

**No. 814-404**

**15-1/4" W x 11-3/4" D x 11-1/4" H**

Shipping weight **10 kg** (22 lbs.)

**Accommodates 4 Drawers - Regular size**

13-3/8" W x 9-1/4" D x 2" H

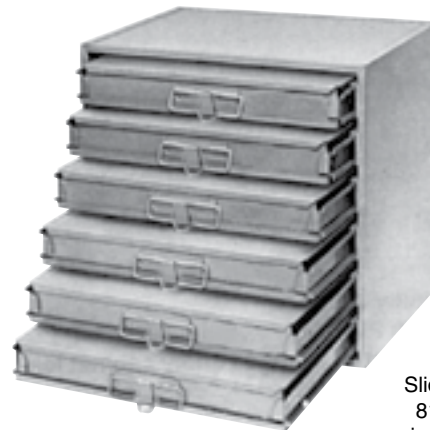
**No. 814-751**

**15-1/4" W x 11-3/4" D x 6-1/4" H**

Shipping weight **5.5 kg** (12 lbs.)

**Accommodates 2 Drawers - Regular size**

13-3/8" W x 9-1/4" D x 2" H



Slide Rack  
814-406  
is shown.

**SLIDE RACK**

(Drawers not included)

- Heavy-duty Steel
- All Welded Construction
- Grey Enamel Finish

**SPAENAUR  
REGULAR SIZE ASSORTMENTS  
are for YOU!**

A

Inch

Assortments Storage

Pouce

Assortiment de stockage



# SPAENAUR LARGE SIZE Assortments

18" x 12" x 3"

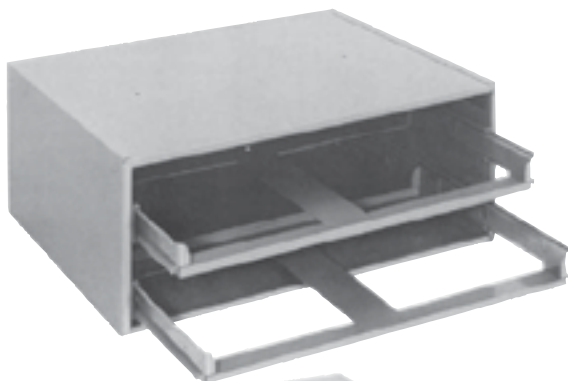
- All "LARGE SIZE" Assortments are put up in welded STEEL drawers with hinged lid, and finished in Grey enamel.
- Inside lid label shows stock numbers and size data.
- All drawers have SCOOPED bins, for easy removal of contents.
- Individual refill items always available in Unit Packages, as catalogued.
- Matching empty drawers are also available. See pages A120 - A123.

PKG QTY. 1

## Typical "LARGE SIZE" Assortment

Roomy compartments provide generous storage space.

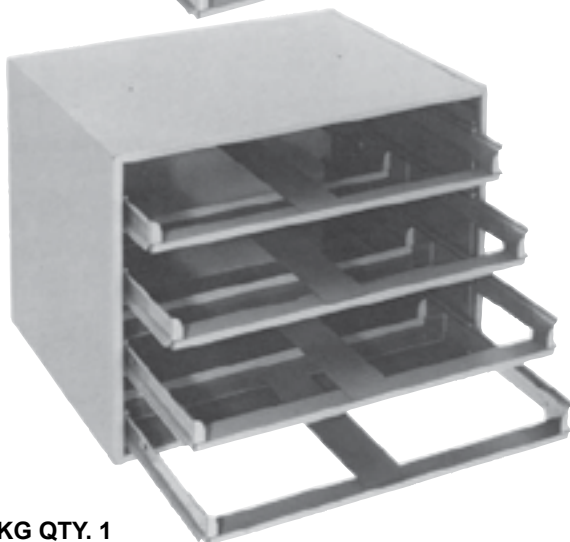
(See also page A2 for "Regular Size" Assortments.)



## STORAGE - SLIDE RACKS

(Drawers not included)

For Organized Storage of Your  
**SPAENAUR**  
"LARGE SIZE" Assortments.



PKG QTY. 1

### No. 814-754

20" W x 15-3/4" D x 8-1/8" H

Shipping weight **9.5 kg** (21 lbs.)

Accommodates 2 "LARGE SIZE" Drawers

18" W x 12" D x 3" H

### No. 814-604

20" W x 15-3/4" D x 15" H

Shipping weight **13.2 kg** (29 lbs.)

Accommodates 4 "LARGE SIZE" Drawers

18" W x 12" D x 3" H

STEEL SLIDE RACK ONLY (Drawers not included)

**Assortments Storage**

Inch

**Assortiment de stockage**

Pouce

**EMPTY**

**PLASTIKITS**

CLEAR PLASTIC CONTAINERS - Durable and practical. Hinged lids - all plastic - no metal pins to rust or break. Positive gripping clasp - no spilling of contents.

Visible stock. Easy storage of parts. Neat! Clean! Handy!

**SPAENAUR No. 176-E**

Size: 4-1/2" x 2-3/4" x 1"  
Weight .041 kg (0.09lbs.)



PKG QTY. 1

**SPAENAUR No. 181-E**

Size: 5-1/2" x 1-13/16" x 1/2"  
Weight .027 kg (0.0616 lbs.)



PKG QTY. 1



For more storage units used to make our Assortments see pages A120 - A125

**Used to assemble our REGULAR SIZE ASSORTMENTS.**

**Drawer Size: 13-3/8" W x 9-1/4" D x 2" H**

Fits #814-751, #814-404, and #814-406  
Slide Racks shown on page A75.



**814-408**  
8 Compartments  
(\*814-408T)

**814-412**  
12 Compartments  
(\*814-412T)



**Assortment Box**  
**Heavy Duty Steel**  
**All Welded Construction**  
**Finish: Grey Enamel**



**814-416**  
16 Compartments  
(\*814-416T)

**814-420**  
20 Compartments  
(\*814-420T)



**Includes Interior Tray of High-Impact Styrene**

(\*Replacement Insert Trays are available. Use number with "T" suffix to order tray only.)

All drawers on this page, Approx. Shipping Weight **1.8 kg** (4 lbs.)

All drawers on this page have "SCOOPED" bins



**Used to assemble our REGULAR SIZE ASSORTMENTS.**

**A**

**Drawer Size: 13-3/8" W x 9-1/4" D x 2" H**

Fits #814-751, #814-404, and #814-406  
Slide Racks shown on page A75.



**814-408**  
8 Compartments  
(\*814-408T)



**814-412**  
12 Compartments  
(\*814-412T)

**Assortment Box  
Heavy Duty Steel  
All Welded Construction  
Finish: Grey Enamel**



**814-416**  
16 Compartments  
(\*814-416T)



**814-420**  
20 Compartments  
(\*814-420T)

**Includes Interior Tray of  
High-Impact Styrene**

(\*Replacement Insert Trays are available.  
Use number with "T" suffix to order  
tray only.)



**814-421**  
21 Compartments  
(\*814-421T)



**814-424**  
24 Compartments  
(\*814-424T)

All drawers on this page,  
Approx. Shipping Weight **1.8 kg** (4 lbs.)

*All drawers on this page have "SCOOPED" bins*

**PKG QTY. 1**

Inch  
Pouce



Storage / Organizers / Accessories

Rangement / Organiseurs / Accessoires



(\*814-498T)

\*Replacement Insert Tray available.

### ADJUSTA-BIN DRAWER Regular Size

**814-498**

With 9 Dividers  
Weight: **1.8 kg** (4 lbs.)

**814-401**

Extra Plastic Bin Dividers  
**PKG QTY. 27**

**Heavy Duty Steel - All Welded Construction  
Includes Interiors of *High-Impact Styrene***

**PKG QTY. 1**

Except extra bin dividers



814-020

### LOCKING HINGES

for slide racks with padlock attachment

**814-020** for 814-406 Slide Racks

**814-021** for 814-404 Slide Rack



814-720

### Slide Rack BASE

**814-720** Base will raise Slide Racks, shown at left, 15" from floor.

Weight **5.4 kg** (12 lbs.).

Storage / Organizers / Accessories

Rangement / Organiseurs / Accessoires



Inch  
Pouce

Used to assemble our LARGE SIZE ASSORTMENTS.

Drawer Size: 18" W x 12" D x 3" H

Fits #814-754 and #814-604  
Slide Racks shown on A76.

**814-718**  
6 Vertical  
Compartments  
(\*814-718T)

**814-719**  
6 Horizontal  
Compartments  
(\*814-719T)

**Assortment Box**  
**Heavy Duty Steel**  
**All Welded Construction**  
**Finish: Grey Enamel**

**814-715**  
12 Compartments  
(\*814-715T)

**814-716**  
16 Compartments  
(\*814-716T)

**Includes Interior tray of  
High-Impact Styrene**

(\*Replacement Insert Trays are available.  
Use number with "T" suffix to order  
tray only.)

**814-717**  
20 Compartments  
(\*814-717T)

**814-621**  
21 Compartments  
(\*814-621T)

**814-624**  
24  
Compartments  
(\*814-624T)

**814-632**  
32  
Compartments  
(\*814-632T)

All drawers on this page,  
Approx. Shipping Weight **3.3 kg** (7-1/4 lbs.)

All drawers on this page have "SCOOPED" bins.

PKG QTY. 1

A

## Helpful organizers for your fasteners!



### Small Plastic Compartment Boxes

(Contents not included)

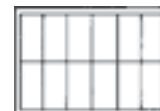
Dimensions 11" Width x 1-3/4" Height x 6-3/4" Depth

These boxes are ideal for organizing, storing and protecting a wide variety of small parts and tools. Three different configurations allow a wide selection of compartment sizes and shapes to fit just about every need. Manufactured from high strength, oil resistant polypropylene, these boxes are furnished with two heavy-duty reinforced hinges with a special "stop" feature, allowing the cover to remain in the open position.

Spaenaur No.	Compartments	Compartments I.D. Size, W x H x D	Colour
814-057	6	1-3/4" x 1-9/16" x 6-1/4"	Clear
814-058	6	1-3/4" x 1-9/16" x 6-1/4"	Yellow
814-059	12	1-3/4" x 1-9/16" x 3-1/8"	Clear
814-060	12	1-3/4" x 1-9/16" x 3-1/8"	Yellow
814-061	18	1-3/4" x 1-9/16" x 2"	Clear
814-069	3 to 18	1-3/4" x 1-9/16" x 2" (adjustable)	Clear
814-070	3 to 18	1-3/4" x 1-9/16" x 2" (adjustable)	Yellow



Six  
Compartment



Twelve  
Compartment



Eighteen  
Compartment



Adjustable  
Compartment

PKG QTY. 1

### 814-026

#### Dura-Hang™ Panel Hangers

Made of Steel and Nickel Plated these hangers are ideal to hang storage racks 814-043 and 814-044.



They are adjustable to fit up to 3-3/8" wide panels.

PKG QTY. 1 Set  
(Includes 2 hangers and a wrench)

### 814-043

#### Storage Rack Holds 5 Regular Size Plastic Compartment Boxes

This versatile cold rolled steel rack with grey baked enamel finish has been designed for three way use. Keyhole slots are furnished for wall mounting. A handle is provided and bolt holes permit stacking.



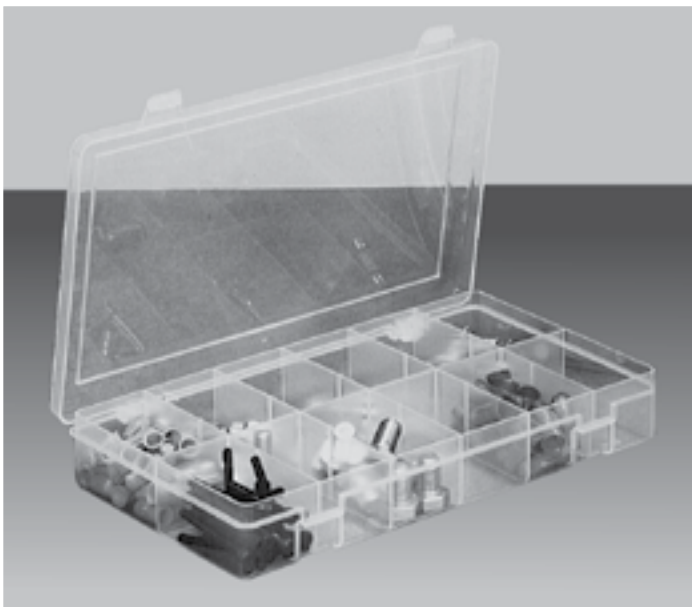
(Plastic Boxes not included)

Inch  
Pouce



Storage / Organizers / Accessories  
Rangement / Organiseurs / Accessoires

# A must for any busy workshop!



(Contents not included)

## Large Plastic Compartment Boxes

Dimensions 13-1/8" Width x  
2-5/16" Height x 9" Depth

These larger boxes are ideal for organizing, storing and protecting a wide variety of small parts and tools. Five different configurations allow a wide selection of compartment sizes and shapes to fit just about every need. Manufactured from high strength, oil resistant clear polypropylene, these boxes are furnished with two heavy-duty reinforced hinges with a special "stop" feature, allowing the cover to remain in the open position.

Spaenaur No.	Compartments	Compartments I.D. Size, W x H x D	Colour
814-063	6	2-1/16" x 2" x 8-1/2"	Clear
814-064	12	2-1/16" x 2" x 4-1/4"	Clear
814-065	16	3-1/8" x 2" x 2-1/16"	Clear
814-066	18	2-1/16" x 2" x 2-1/16", 4-1/4"	Clear
814-067	24	2-1/16" x 2" x 2-1/16"	Clear
814-068	4 to 24	2-1/16" x 2" x 2-1/16" (adjustable)	Clear

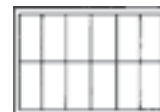
PKG QTY. 1



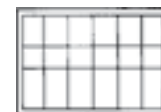
Six  
Compartment



Sixteen  
Compartment



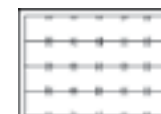
Twelve  
Compartment



Eighteen  
Compartment



Twenty Four  
Compartment



Adjustable  
Compartment



(Plastic Boxes not included)

## 814-044

### Storage Rack Holds 5 Large Size Plastic Compartment Boxes

This versatile cold rolled steel rack with grey baked enamel finish has been designed for three way use. Keyhole slots are furnished for wall mounting. A handle is provided and bolt holes permit stacking.



## 814-021

**Locking Hinges**  
for Slide Racks 814-043 and 814-044 to hold boxes in place when being transported in a moving vehicle. Padlock not provided.

Also fits slide rack  
814-404

PKG QTY. 1

CATALOG 14  
SPAENAUR



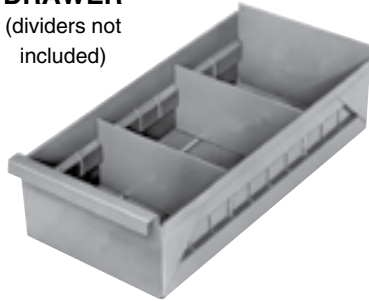
Inch  
Pouce



Drawers / Storage Cabinets / Accessories

Tiroirs / Armoires de rangement / Accessoires

**814-004  
DRAWER**  
(dividers not included)



5-3/8" W x 2-3/4" H x 11-1/4" D  
Shipping Weight: 0.9 kg (2 lbs.)

**Drawers** feature sides slotted on one inch centres to hold high impact plastic dividers firmly in place. They also have two easy glide runners and full width handles.

PKG QTY. 1

Drawer will fit cabinets

Spenaaur No.
814-002
814-003
814-006
814-007
814-009
814-024
814-705
814-706
814-780
814-781
814-782

Shown on page A86 and A87.

**814-005  
PLASTIC DRAWER  
DIVIDERS**



**Drawer Dividers** are made of a high impact plastic, with special snap-in features to hold them in place.

Plastic dividers fit the 814-004 drawer.

PKG QTY. 24

These all steel Drawer cabinet Systems come complete with their own rugged bases. They are manufactured on automated tooling to provide uniformity. Only prime cold rolled steel is used, and they are finished in rust and acid resistant baked enamel. Drawers feature a special interlocking design resulting in superior strength. Each drawer comes with two high impact plastic dividers. They also include full width handles, embossed runners for smooth, easy opening and positive stops to prevent spilling.

**STORAGE  
CABINETS**

**Not Stocked,  
Pricing on Request.**

48 Drawer cabinet



72 Drawer cabinet



96 Drawer cabinet



PKG QTY. 1

SPAENAUR No.	Width Inches	Height Inches	Depth Inches	No. of Drawers	Drawer Width Inches	Drawer Height Inches	Drawer Depth Inches	No. of Drawer Dividers	Weight kg (lbs.)
814-780	34-1/8	33-3/4	12-1/4	48	5-3/8	2-3/4	11-1/4	96	73 (161)
814-781	34-1/8	48-1/8	12-1/4	72	5-3/8	2-3/4	11-1/4	144	98 (216)
814-782	34-1/8	62-1/2	12-1/4	96	5-3/8	2-3/4	11-1/4	192	136 (300)

Spenaaur reserves the right to substitute parts in any assortment without notice. For any questions or suggestions about our Assortments and Plastikits, please contact us 1-800-265-8772. © 2018 Spenaaur Inc. All rights reserved. Catalog may not be reproduced, in whole or in part, without the written permission of Spenaaur Inc. Subject to Catalog Terms and Conditions of Use available at Spenaaur.com and on page TC2 and TC3 at the back of this catalog. Spenaaur se réserve le droit de remplacer des pièces dans n'importe quel assortiment sans préavis. Pour toute question ou suggestion concernant nos Assortiments et Plastikits, veuillez nous contacter au 1-800-265-8772. © 2018 Spenaaur Inc. Tous droits réservés. Le catalogue ne peut être reproduit, en tout ou en partie, sans l'autorisation écrite de Spenaaur Inc. L'utilisation est soumise aux Conditions d'utilisation du Catalogue disponibles sur Spenaaur.com et à la page TC4 et TC5 à la fin de ce catalogue.



Inch  
Pouce



Storage / Organizers / Accessories

Rangement / Organiseurs / Accessoires



# Polypropylene Boxes

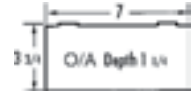
These extremely durable polypropylene boxes are moulded with heavy duty, heat-sealed hinges and resist solvents such as gasoline, oil and most common chemicals. They are excellent for organizing and carrying small items for the mechanic, plumber, electrician, or handyman.



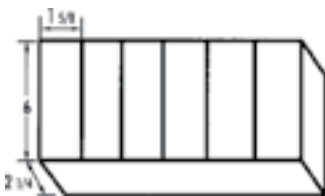
Overall Dimensions  
(814-028 to 814-031)

Natural  
Translucent  
Colour.

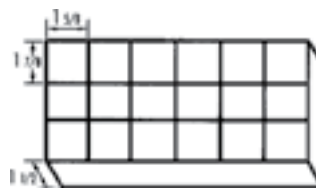
PKG QTY. 1



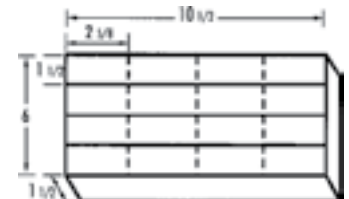
Overall Dimensions  
(814-032 only)



814-028



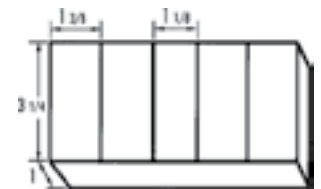
814-030



814-031

# Tool Box with two Cantilever trays

These rugged plastic tool boxes make it easy to organize tools in a small space. The tool boxes are lightweight, rustproof, dentproof, scratch resistant and feature draw tight latches and tongue-and-groove construction for a secure seal. They are also ideal as repair kits, sample cases or sports supply boxes.



814-032

Overall Dimensions  
16-3/8" x 8-5/8" x 7"

SPAENAUR No. 814-033

Two trays – 11 compartments

Grey colour

Tray Configurations:

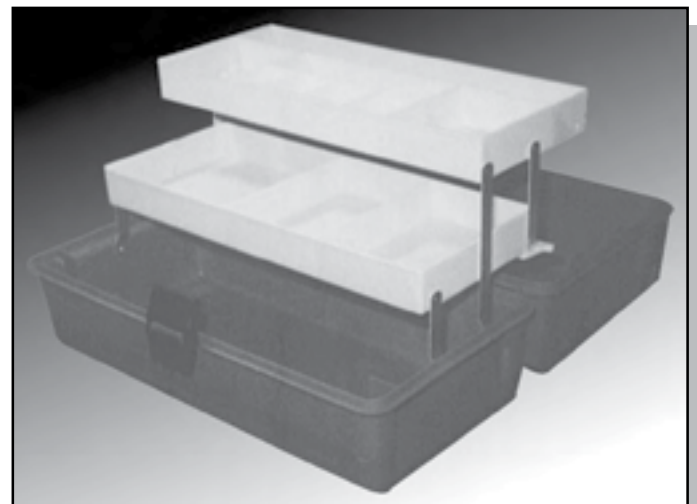


Top



Bottom

PKG QTY. 1



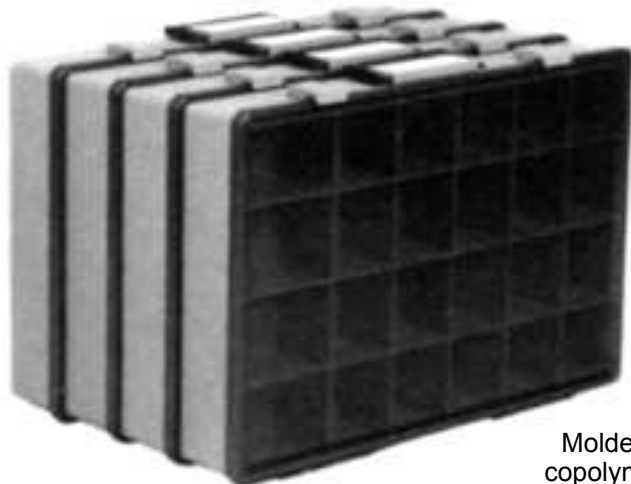
Storage / Assortment Cases

Boites de rangement/assortiment



Inch  
Pouce

A



# Super-Satchel Storage Cases

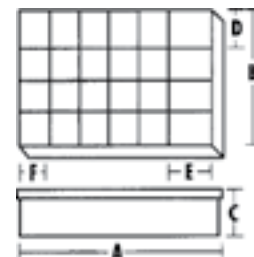
Molded in grey copolymer resins.

Storing and organizing materials in industrial environments takes on a new meaning with Super-Satchel Storage Cases. They offer lots of flexibility in storage and will out-perform Standard Industrial Slide Rack Boxes. Storing them flat or upright allows plenty of options for developing custom storage systems. With two draw-tight latches, a luggage style handle and lighter weight (3.5 lb. vs. 8 lb. in metal), Super-Satchel Cases are 100% portable.



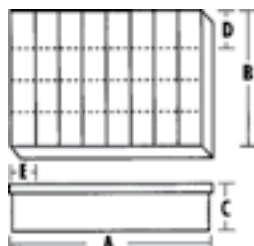
**814-776**  
Size: 18-1/2" x 13" x 3"  
24 Compartments (fixed positions.)

A: 18-1/2"    C: 3"    E: 4"  
B: 13"        D: 3"    F: 2-7/8"

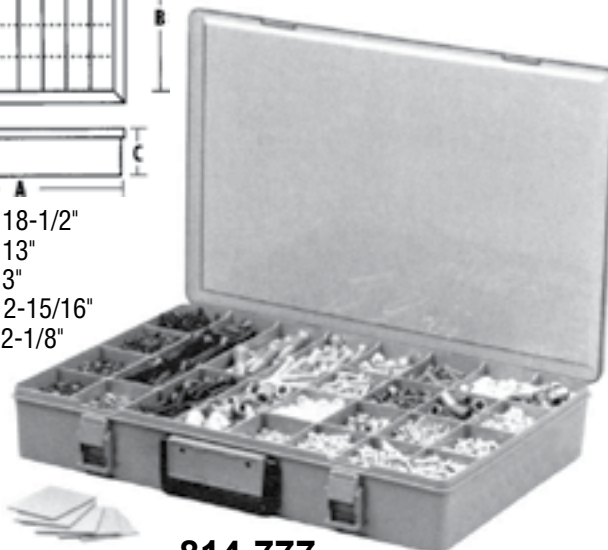


## Features include . . .

- See-through lid allows quick identification of contents.
- Molded in copolymer resins that will not dent. Super-Satchel Storage Cases resist common solvents and odors.
- Copolymer resins will not rust which means no corrosion carryover onto box contents.
- Brass pinned hinges for optimum strength and durability.
- Molded integral feet allow these containers to stand upright making ideal presentation cases.
- Rounded corners, no sharp edges and lightweight covers that won't slam on fingers make these cases "user friendly."
- Identification card holder for quick case selection.



A: 18-1/2"  
B: 13"  
C: 3"  
D: 2-15/16"  
E: 2-1/8"



**814-777**

Adjusts from 8 to 32 compartments.  
8 fixed dividers (Solid lines.)  
24 moveable dividers included.  
(Dotted lines.)

Contents of cases not included

PKG QTY. 1

A140

Spaenaur reserves the right to substitute parts in any assortment without notice. For any questions or suggestions about our Assortments and Plastikits, please contact us 1-800-265-8772. © 2018 Spaenaur Inc. All rights reserved. Catalog may not be reproduced, in whole or in part, without the written permission of Spaenaur Inc. Subject to Catalog Terms and Conditions of Use available at Spaenaur.com and on page TC2 and TC3 at the back of this catalog. Spaenaur se réserve le droit de remplacer des pièces dans n'importe quel assortiment sans préavis. Pour toute question ou suggestion concernant nos Assortiments et Plastikits, veuillez nous contacter au 1-800-265-8772. © 2018 Spaenaur Inc. Tous droits réservés. Le catalogue ne peut être reproduit, en tout ou en partie, sans l'autorisation écrite de Spaenaur Inc. L'utilisation est soumise aux Conditions d'utilisation du Catalogue disponibles sur Spaenaur.com et à la page TC4 et TC5 à la fin de ce catalogue.