

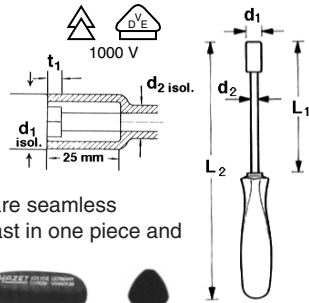
Hex Nut-Drivers

Functional dimensions according to DIN 7445.

Insulated according to EIEC 78 (CO) 11, equivalent to VDE 0680 section 201 and IEC 900.

Colour: Red

All Hazet VDE-Tools with blades are seamless insulated, handle and cover are cast in one piece and therefore undetachable.

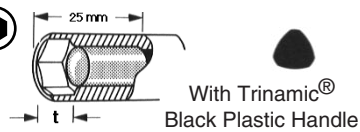


SPAENAUR No.	HAZET No.	mm	L1 mm	L2 mm	t min. mm	d1 mm	d2 mm
990-116	425 VDE-5,5	5,5	125	225	3,0	8,1	5,0
990-117	425 VDE-6	6	125	225	3,5	9,0	5,0
990-118	425 VDE-7	7	125	235	4,0	11,0	6,0
990-119	425 VDE-8	8	125	235	5,0	12,0	6,0
990-120	425 VDE-9	9	125	235	5,0	13,0	6,0
990-121	425 VDE-10	10	125	235	6,0	14,0	6,0
990-122	425 VDE-11	11	125	245	7,0	16,0	8,1
990-123	425 VDE-12	12	125	245	8,0	17,0	8,1
990-124	425 VDE-13	13	125	245	8,0	18,0	8,1

Hex Nut-Driver

Chrome-Vanadium

Especially for deep leveled screws e.g. on valve cover and oil pan.



With MAGNET

Blade with hexagon tang,

Chrome-Plated

Long Pattern

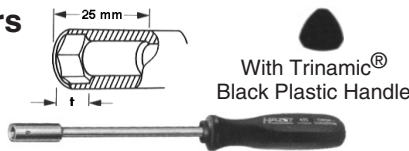
SPAENAUR No.	HAZET No.	mm	L1 mm	L2 mm	t1 mm	t2 mm	d1 mm	d2 mm
990-102	421-10	10	125	235	6	14	8	

Hex Nut-Drivers

DIN 3125

Chrome-Vanadium

Chrome-Plated



Long Pattern

990-104	425-4,5	4,5	125	223	2,3	7,0	5
990-105	425-5	5	125	223	2,5	8,0	5
990-106	425-5,5	5,5	125	223	3,0	8,0	6
990-107	425-6	6	125	223	3,5	9,0	6
990-108	425-7	7	125	223	4,0	11,0	6
990-109	425-8	8	125	232	5,0	12,0	7
990-110	425-9	9	125	232	5,0	13,0	8

Blade with Hexagon Tang

990-111	425-10	10	125	240	6,0	14,0	8
990-112	425-11	11	125	240	7,0	16,0	8
990-113	425-12	12	125	240	8,0	17,0	9
990-114	425-13	13	125	240	8,0	18,5	9
990-115	425-14	14	125	240	10,0	19,7	9

Flexible Hex Nut-Drivers

For radiator hose clamps with worm-driven thread.



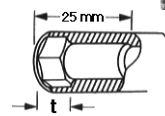
With Trinamic® Black Plastic Handle

990-125	426-6	6	150	262	5,0	11,0	8
990-126	426-7	7	150	262	5,0	11,0	8

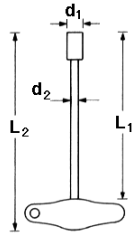
Hex Nut-Drivers

Chrome-Vanadium

With Black Plastic Transverse Handle (protected by design patent).

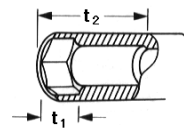


Galvanized Short Pattern



SPAENAUR No.	HAZET No.	mm	L1 mm	L2 mm	t min. mm	d1 mm	d2 mm
990-127	428-4	4	150	175	2,0	6,9	5
990-128	428-4,5	4,5	150	175	2,3	7,5	5
990-129	428-5	5	150	175	2,5	8,2	5
990-130	428-5,5	5,5	230	262	3,0	8,0	6
990-131	428-6	6	230	262	3,5	9,0	6
990-132	428-7	7	230	262	4,0	11,0	6
990-133	428-8	8	230	262	5,0	12,0	7
990-134	428-9	9	230	262	5,0	13,0	8
990-135	428-10	10	230	262	6,0	14,0	8
990-136	428-11	11	230	262	7,0	16,0	8
990-137	428-12	12	230	265	8,0	17,0	9
990-138	428-13	13	230	265	8,0	18,0	9

Long Pattern



SPAENAUR No.	HAZET No.	mm	L1 mm	L2 mm	t1 mm	t2 mm	d1 mm	d2 mm
990-139	428 Lg-5,5	5,5	350	382	3,0	25	8,0	6
990-140	428 Lg-6	6	350	382	3,5	25	9,0	6
990-141	428 Lg-7	7	350	382	4,0	25	11,0	6
990-142	428 Lg-8	8	350	382	5,0	25	12,0	7
990-143	428 Lg-9	9	350	382	5,0	25	13,0	8
990-144	428 Lg-10	10	350	382	6,0	25	14,0	8
990-145	428 Lg-11	11	350	382	7,0	25	16,0	8
990-146	428 Lg-12	12	350	385	8,0	25	17,0	9
990-147	428 Lg-13	13	350	385	8,0	25	18,0	9

Nut-Drivers

Chrome-Vanadium

For outside Torx® screws.

With Transverse Black Plastic Handle (protected by design patent)



External TORX®

HAZET are licensees for the manufacture of TORX® tools.

SPAENAUR No.	HAZET No.	For Torx	mm	L1 mm	L2 mm	t1 min. mm	t2 mm	d1 mm	d2 mm
990-148	428-E5	E5	4,75	130	165	4,0	15	6,5	11,0
990-150	428-E8	E8	7,52	130	165	6,5	15	10,5	11,5
990-151	428-E10	E10	9,42	130	165	7,5	15	13,0	12,0