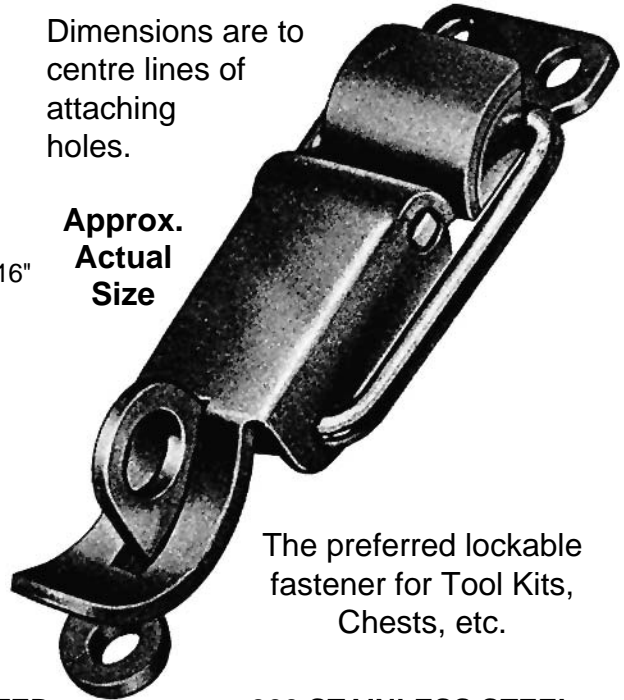


CLAMP FASTENERS with Padlock Eye

PLAIN and ZINC PLATED STEEL and 300 STAINLESS STEEL

Dimensions are to centre lines of attaching holes.

Approx. Actual Size



The preferred lockable fastener for Tool Kits, Chests, etc.

PLAIN STEEL

for Spot-Welding (no holes)

096-602 Strike and Catch

096-596 Strike only

096-597 Catch only

Unit Package 10 (one number)

ZINC PLATED

with riveting holes

096-601 Strike and Catch

096-598 Strike only

096-599 Catch only

300 STAINLESS STEEL

with riveting holes

096-810 Strike and Catch

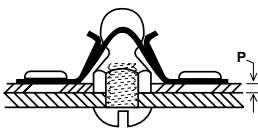
096-809 Strike only

096-808 Catch only

Unit Package 1

SPRING CATCH and STUD ASSEMBLIES

TYPICAL ASSEMBLY



P (Panel Range)
.133" - .160"

Note:
Components must be ordered separately.

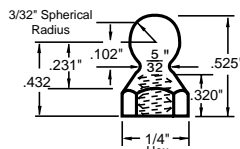
(See page C116 for more information.)

P.C. 086

BALL STUDS - Steel, Zinc Plated.

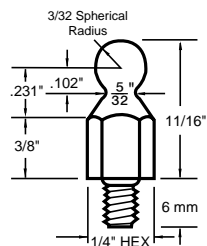
SPAENAUR No. **C-968**

Internal Thread
6-32 NC2



SPAENAUR No. **086-689**

External Thread
METRIC Coarse
M4 x 0.70 Pitch
6 mm Long.



Unit Package 100

STEEL SPRING CATCHES

Catches are dimensionally identical.
Material thickness and pull-out tensions differ.

SPAENAUR No's.

086-692

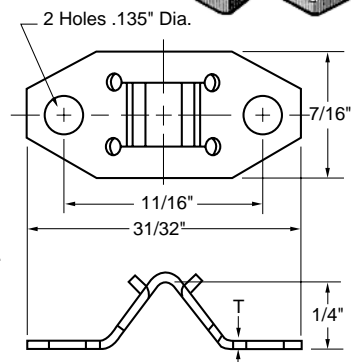
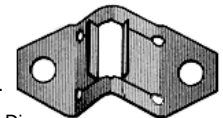
Zinc Plated
T = .017"
Pull-out Tension 8 lbs.

C-788

Phosphate Finish
T = .022"
Pull-out Tension 12 lbs.

086-690

Phosphate Finish
T = .031"
Pull-out Tension 30 lbs.



Unit Package 100