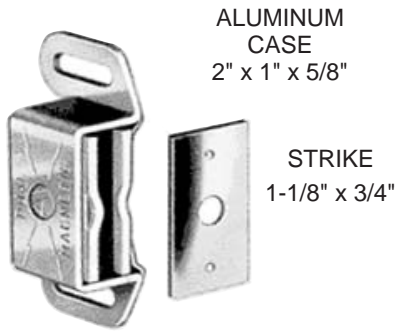


### MAGNETIC CATCH and STRIKE SETS



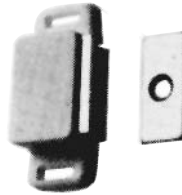
ALUMINUM CASE  
2" x 1" x 5/8"

STRIKE  
1-1/8" x 3/4"

**096-352** Aluminum Case (Plain Finish) with Steel Strike and Screws.

Unit Package 12 Sets

PLASTIC CASE  
White



**096-342** 40 x 19 mm Case (1.57" x 0.74")  
22 x 11 mm Steel Strike (0.86" x 0.43")

**096-343** 46 x 24 mm Case (1.81" x 0.94")  
25 x 21 mm Steel Strike (0.98" x 0.82")

Note: Each Magnetic Catch includes Strike & Screws.

Unit Package 12 Sets

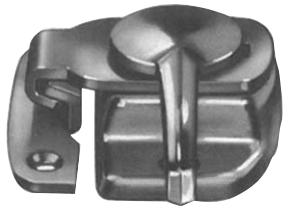
### ALUMINUM SECURITY SASH LOCKS

Heavy Gauge Springs for Long-wearing Action.



Base Size 15/16" x 2-5/8"  
Strike Size 5/8" x 2-5/8"

### SASH LOCK



### CAM TYPE, Manual Action

Draws Sash Together

**096-451** Steel, Brass Plated

Base Size 2-9/16" x 1-3/8"  
Strike Size 2-3/16" x 9/16"

Unit Package 1 Set (With Screws)

### SPAENAU No.

**096-349** Bright Brass  
**096-350** Natural  
**096-351** Bright Nickel

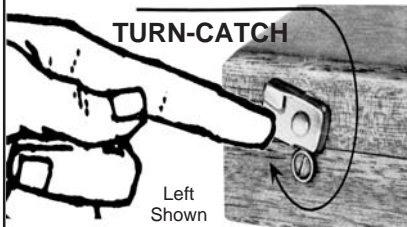
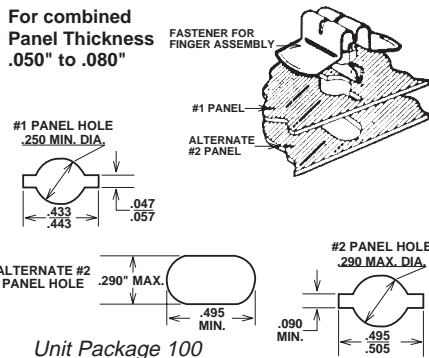
Unit Package 5 Sets (With Screws)

### QUARTER TURN FASTENER No. C-1075

Steel Zinc Plated

For combined Panel Thickness .050" to .080"

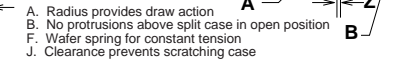
FASTENER FOR FINGER ASSEMBLY



Ideal for small cases...any box with wood or solid type shell.  
• Stays closed, opens easily • Standard finishes  
• Fast, fingertip control • Constant, rattle-proof tension  
• 31/64" x 55/64" x 1/4" • Right and left hand styles

Description	Steel Brass Pltd.	Steel Nickerled	Unit Pkg.
Turn Catch, Rt.	<b>096-267</b>	<b>096-270</b>	100
Turn Catch, Lt.	<b>096-268</b>	<b>096-271</b>	100
Round Strike	<b>096-269</b>	<b>096-272</b>	100

When one moulded shell is used for top and bottom of case, and holes equidistant from split with same vertical line, the catch will not be vertical. You can convert it with a simple operation. Dim. "X"=.210", "Y"=.210", No "Z" dim.



#### Recommended Mounting Dimensions

- I. Rivet Application 1/8" dia. Punch or Drill 2 holes .125"-.129". Dim. "X"=.250", "Y"=.156", "Z"=.045"
- II. Screw (with strike): One #5 x 1/2" pan head sheet metal screw for lever (Pan head preferred for appearance). One #4 x 1/2" flat head wood screw for strike. Dim. "X"=.250", "Y"=.156", "Z"=.045"
- III. Screw (without strike): (using screw instead of strike) Two #5 x 1/2" pan head sheet metal screws. Dim. "X"=.250", "Y"=.170", "Z"=.085"