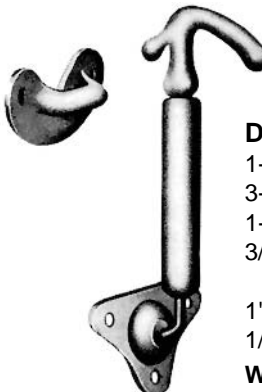


D-3279
Clamp and Catch Plate
(Mfr. #9663)

Dimensions:
7/8" x 1-3/4" frame bearing.
3-1/4" rise to hook.
1-1/4" finger hook.
1" x 2" bearing hood plate.
1/2" projection hood plate catch.

Weight: 5 oz. each

Unit Package 1



D-3271
Clamp and Catch Plate
(Mfr. #9660)

Dimensions:
1-1/2" x 1-7/8" foot plate.
3-1/2" rise, top of foot plate to hook.
1-1/4" finger hook.
3/4" offset, rear face foot plate to centre of barrel.
1" x 2" bearing hook plate.
1/2" projection hood plate catch.

Weight: 4 oz. each.

Unit Package 1



D-4026
Clamp and Catch Plate
(Mfr. #9674A)

Dimensions:
1-1/2" x 2-1/4" bearing plates.
1" finger loop.
1-1/4" projection hood plate catch.
7/8" diameter barrel
3/4" maximum spring compression.
3/16" rivets.

Weight: 14 oz. each.

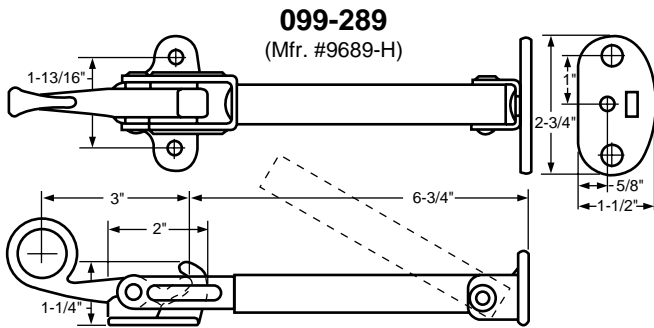
The distance between edges of the hood catch and the base plate, necessary to produce the above-noted spring-compression is 4 inches.

Unit Package 1

All items on this page are Cadmium or Zinc Finish

HORIZONTAL HOOD FASTENER
(2 Part)

Standard horizontal hood fastener. Horizontal unit with 2-hole rigid footplate. Footplate holes are on 2" centres with 11/32" diameter holes.

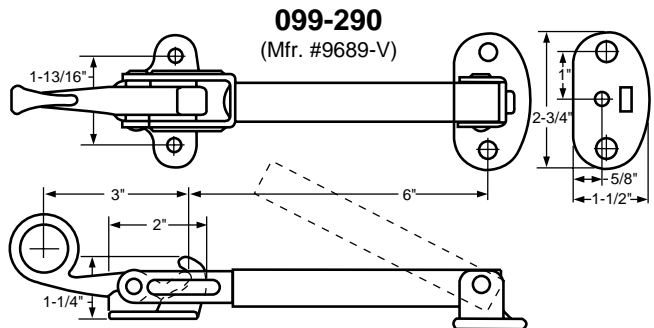


099-289
(Mfr. #9689-H)

Unit Package 1

VERTICAL HOOD FASTENER
(2 Part)

Standard vertical hood fastener. Vertical unit with 2-hole rigid footplate. Footplate holes are on 2" centres with 11/32" diameter holes.



099-290
(Mfr. #9689-V)

Unit Package 1

CATALOG 13

Complete listing of Hood Clamps and Hood Fasteners found on pages L115 to L119.