

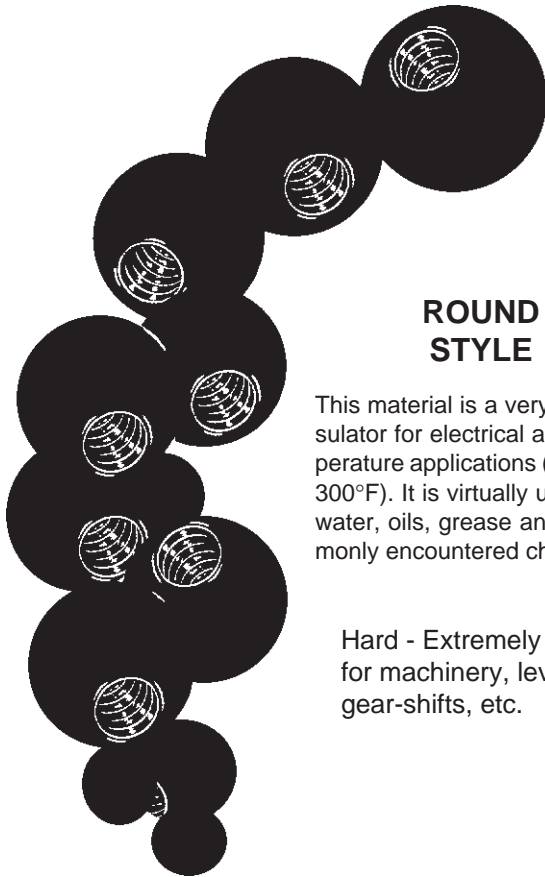
BLACK PHENOLIC BALL KNOBS

Inch Sizes

SPAENAUR No.	Outside Dia.	Thread Size	Depth of Thread
134-208	1"	10-24	1/2"
134-209	1"	1/4"-20	1/2"
K-51-1	1"	5/16"-18	1/2"
K-51	1"	3/8"-16	1/2"
134-210	1-1/4"	5/16"-18	1/2"
K-52	1-1/4"	3/8"-16	3/4"
134-067	1-1/4"	1/2"-13	27/32"
134-068	1-1/4"	5/8"-11	29/32"
134-066	1-3/8"	1/4"-20	1/2"
134-069	1-3/8"	5/16"-18	1/2"
K-53	1-3/8"	3/8"-16	3/4"
134-199	1-1/2"	1/4"-20	1/2"
134-212	1-1/2"	1/2"-13	1"
134-207	1-5/8"	5/16"-18	1"
134-211	1-5/8"	5/16"-24	1"
134-200	1-5/8"	3/8"-16	1"
134-202	1-5/8"	5/8"-11	1"
K-54	1-7/8"	3/8"-16	1-1/4"
K-54-2	1-7/8"	1/2"-13	1"
134-073	1-7/8"	5/8"-11	3/4"
K-54-1	1-7/8"	5/8"-18	7/8"

Metric (Coarse) Thread

134-615	1-1/4"	M8	3/4"
134-600	1-1/4"	M10	3/4"
134-601	1-3/8"	M10	3/4"
134-603	1-5/8"	M12	7/8"
134-604	1-5/8"	M16	1"
134-605	1-7/8"	M12	1"
134-606	1-7/8"	M14	7/8"
134-607	1-7/8"	M16	7/8"



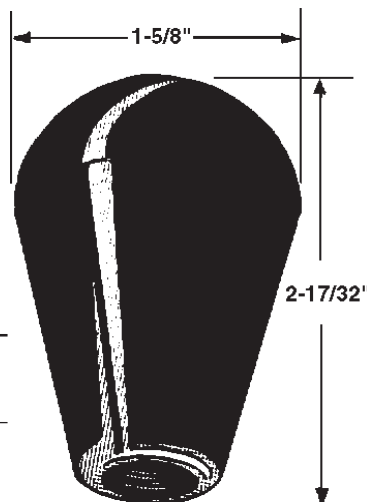
ROUND STYLE

This material is a very effective insulator for electrical and high-temperature applications (up to 149°C, 300°F). It is virtually unaffected by water, oils, grease and most commonly encountered chemicals.

Hard - Extremely Tough for machinery, levers, gear-shifts, etc.

See page J89 for Round Style with Tapped Brass Inserts.

PEAR SHAPE

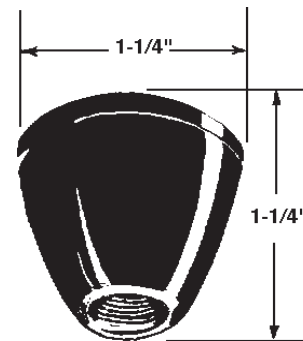


Inch Sizes

SPAENAUR No.	Outside Dia.	Thread Size	Depth of Thread
134-204	1-5/8"	3/8"-16	1-1/8"
134-205	1-5/8"	1/2"-13	1-1/8"
134-203	1-5/8"	5/8"-11	1-1/8"

Metric (Coarse) Thread

134-608	1-5/8"	M14	1-1/8"
134-609	1-5/8"	M16	1-1/8"



ACORN SHAPE

Inch Sizes

SPAENAUR No.	Outside Dia.	Thread Size	Depth of Thread
134-206	1-1/4"	3/8"-16	5/8"

Metric (Coarse) Thread

134-610	1-1/4"	M10	5/8"
---------	--------	-----	------

CATALOG 13