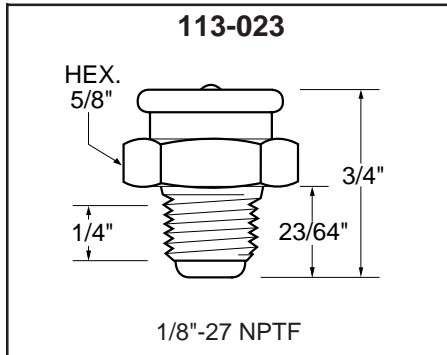


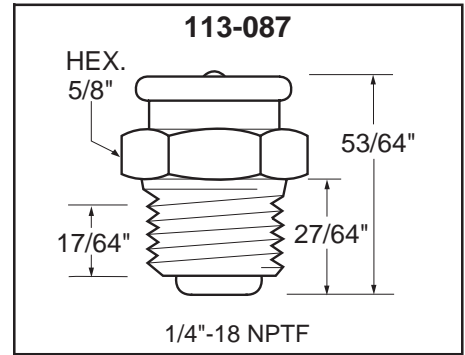
All Fittings on this page are Steel, Zinc Plated.
 More Inch Hydraulic Grease Fittings on pages H12 and H13.

Unit Package 10
 (Any One Number)

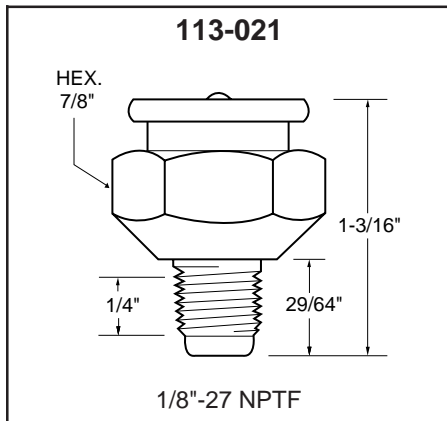
**STANDARD
 BUTTON HEAD**



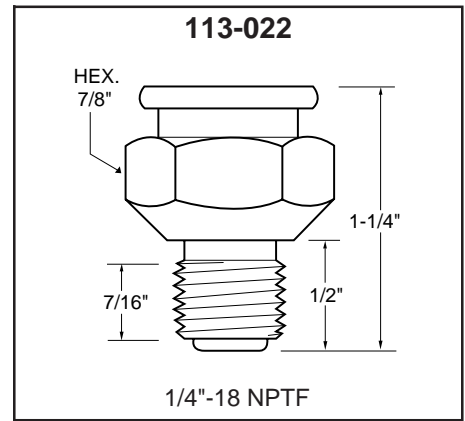
Standard button head lubrication fittings are designed for use where volume flow of lubricant is required. They are used on bearings of earth moving equipment, conveyors, mining machinery and other heavy machinery. The head provides a smooth working surface for easy coupler engagement and removal. The head diameter is 5/8".



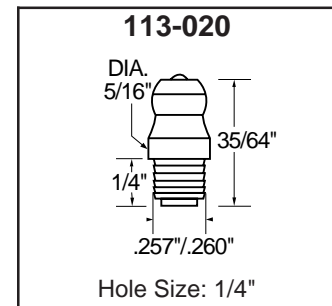
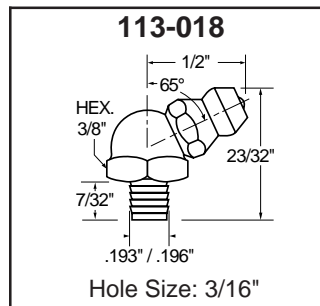
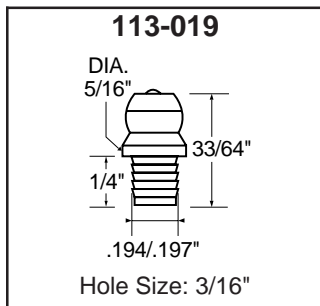
**GIANT
 BUTTON HEAD**



Similar to standard button head, except that the head diameter is bigger (7/8"). The flat smooth top assures a quick coupler attachment and avoids wear and cutting of the coupler washer. Designed for heavy duty usage, on earth moving equipment, construction machinery and generally in all kinds of equipment where long service life and high lubricant flow are important.



DRIVE FITTINGS



Drive type fittings are designed for fast production line installation in untapped holes, to avoid thread tapping costs. The hole sizes and shank dimensions are for reference use only. Test applications should be conducted to determine the correct hole size, which varies

depending on the type and hardness of the metal. They have a serrated shank, which facilitates the substitution of damaged fittings in old or oversize holes. Although they grip securely, they are recommended only for low and medium pressures.

CATALOG 13

Push-on Coupler for Standard
 Button Head Grease Fitting
Steel, Zinc Plated

SPAENAU No.
113-081
 Unit Package 1



1/8" NPTF
 Thread