

Solderless and Soldering Terminals

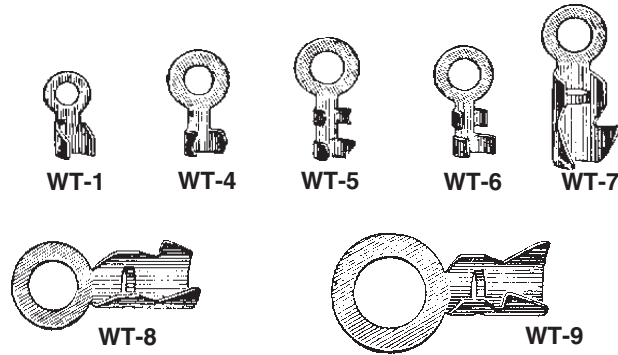
Inch

Bornes sans soudure et à souder

Pouces

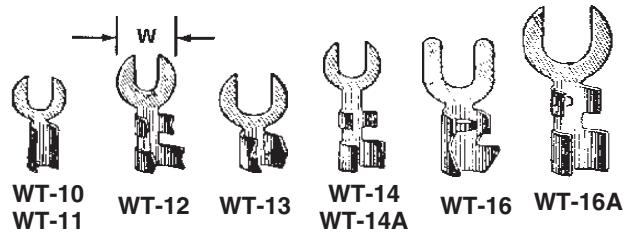
NON-INSULATED RING TERMINALS BRASS - HOT TINNED

SPAENAUR No.	Screw Size	Style	Clamp Inside Width	Overall Length	Package Quantity
WT-1	No. 4		3/32"	1/2"	50
WT-4	No. 8	Short	5/32"	9/16"	50
WT-5	No. 8	Long	7/64"	3/4"	50
WT-7	No. 10	Long	7/32"	15/16"	50
WT-8	1/4"		3/16"	1-1/8"	50
WT-9	3/8"		1/4"	1-1/4"	50



SPADE TERMINALS BRASS - HOT TINNED

SPAENAUR No.	Screw Size	Style	Clamp Inside Width	W	Overall Length	Package Quantity
WT-10	No. 4		3/32"	17/64"	1/2"	50
WT-11	No. 6	Short	3/32"	5/16"	9/16"	50
WT-12	No. 6	Long	7/64"	5/16"	5/8"	50
WT-13	No. 8	Short	3/32"	5/16"	9/16"	50
WT-14	No. 8	Long	7/64"	11/32"	11/16"	50
WT-14A	No. 8	Long	7/64"	19/64"	3/4"	50
WT-16A	No. 10		7/64"	15/32"	15/16"	50
WT-16	No. 10		3/16"	13/32"	1-1/32"	50



PLASTIKIT «Plastikit» A-49

A handy assortment of **GENERAL PURPOSE NON-INSULATED SOLDERING WIRING TERMINALS**

Contains 14 varieties, 100 pieces, in both ring type and spade type as featured above.

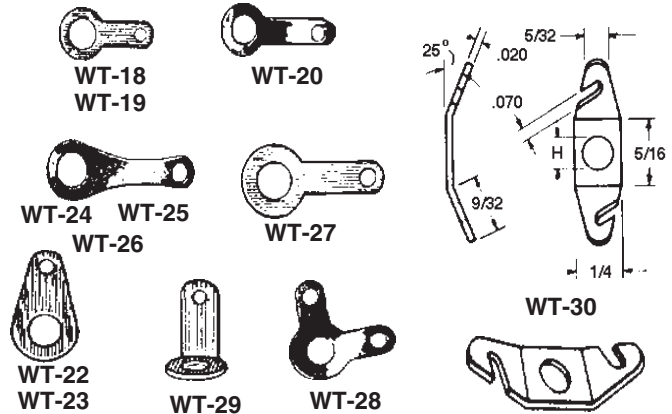
Priced Singly

Packed in durable, clear plastic box with hinged lid. Size: 1" x 2-3/4" x 4-1/2"

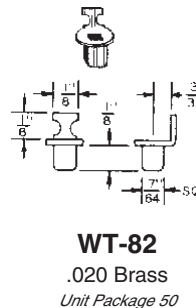
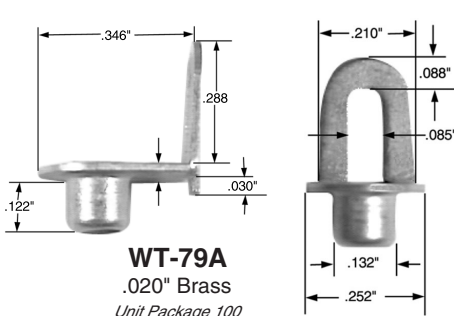
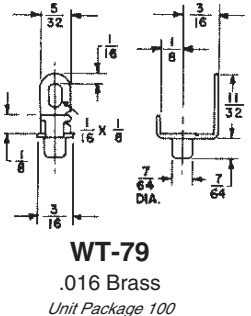


SOLDERING FLAT TERMINALS BRASS - HOT TINNED

SPAENAUR No.	Type	Screw Size	Wire Hole	Overall Length	Package Quantity
WT-18	Flat	No. 2 & 3	.072"	1/2"	50
WT-19	Flat	No. 4	.072"	1/2"	50
WT-20	Flat	No. 6	5/64"	11/16"	50
WT-22	Flat	No. 6	.078"	17/32"	50
WT-24	Flat	No. 6	.087"	7/8"	50
WT-25	Flat	No. 8	.087"	7/8"	50
622-194	Flat	No. 8	.093"	7/8"	100
WT-26	Flat	No. 10	.087"	7/8"	50
WT-27	Flat	1/4"	5/64"	3/4"	50
WT-28	Flat	No. 6	5/64"	9/16"	50
WT-29	Bent	No. 6	1/16"	13/32"	50
WT-30	Bent	No. 6	.144"	7/8"	50



SOLDERING LUGS — BRASS - HOT TINNED



HOT TINNED

622-163
Phosphor Bronze
For No. 8 Screw
Unit Package 100

G50

SPAENAUR

01 Apr 04

CATALOG 13