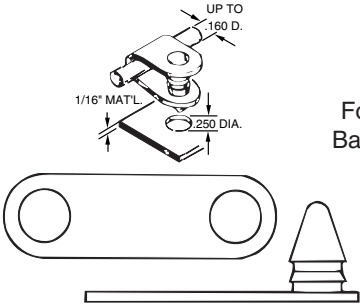


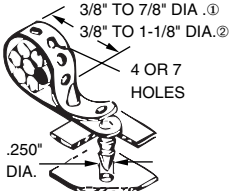
C-973
White Nylon HOSE CLIP
For 3/4" dia., max., condenser or cable. Requires hole 1/4" dia. material from .025" to .085" thick, max.
Unit Package 100



C-749P
Black PLASTIC
(375849-S)
Adjustable Snap Lock Type Wiring Clip.
Unit Package 25

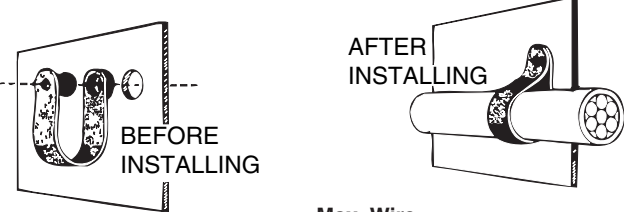


C-1054P
CABLE STRAP
Polyethylene
For cable .160" dia., max. Barbed shank for 1/4" hole.
(G.M. No. 581932)
Overall length 1-1/2"
Unit Package 100



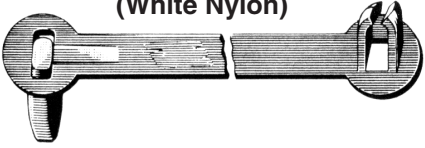
C-579P
ADJUSTABLE CABLE STRAP
4 Hole Style
Overall length 3-5/8"
Polyethylene
For 3/8" to 7/8" dia. cable, Barbed shank for 1/4" hole.
G.M. No. 1348340
Chry. No. 6015149
2097188
Overall length 5-5/8"
Unit Package 25

BLIND HOLE STRAPS
Made of polyethylene.



| SPAENAUR No. | Mounting Hole Dia. | Max. Wire or Cable Dia. Accommodated | Unit Package |
|--------------|--------------------|--------------------------------------|--|
| C-784P | 3/16" | 1/4" | 50 For Mounting in 1/16" thick (approx.) panel. |
| C-785P | 1/4" | 1/4" | |
| C-786P | 1/4" | 7/16" | |
| C-787P | 1/4" | 5/8" | |

WIRING STRAP
(White Nylon)

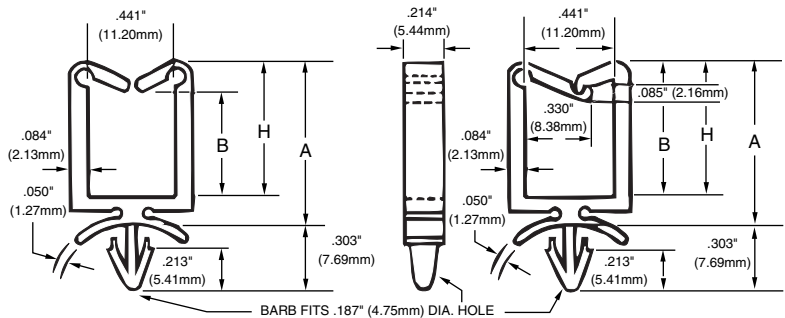


SPAENAUR No. 086-387
Distance Centre to Centre 2.75"
Max. Wire or Cable Dia. Accommodated .69"
Mounting Hole Dia. 1/4"
Panel Range .036" - .125"
Unit Package 100

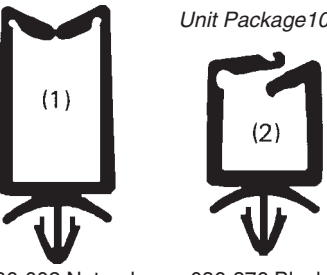
| SPAENAUR No. | Distance Centre to Centre | Max. Wire or Cable Dia. Accommodated | Mounting Hole Dia. | Panel Range |
|--------------|---------------------------|--------------------------------------|--------------------|---------------|
| 086-387 | 2.75" | .69" | 1/4" | .036" - .125" |

Unit Package 100

PUSH MOUNT WIRE SADDLE CLIPS Nylon 6/6



(1) TENSION RETAINER STYLE (2) SELF-LOCKING RETAINER STYLE
One-piece, self-retaining wire clip, just pops in place by hand. Wire bundles load fast through opening at top, and are easily removed for service. Stand-Off base prevents wire contact. A snug, reliable attachment.
BARB FITS .187" (4.75mm) DIA. HOLE



086-002 Natural
086-377 Black
086-376 Black
Unit Package 100

| SPAENAUR No. | DIM A | DIM B | DIM H |
|--------------|--------------------|-------------------|-------------------|
| 086-002 | 1.065" 27.05 mm | .752" 19.10 mm | .930" 23.62 mm |
| 086-377 | 1.065" 27.05 mm | .752" 19.10 mm | .930" 23.62 mm |
| 086-376 | .716" 18.19 mm | .366" 9.30 mm | .581" 14.76 mm |

CATALOG 13

G