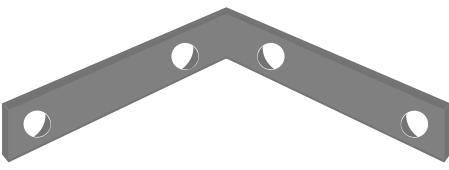
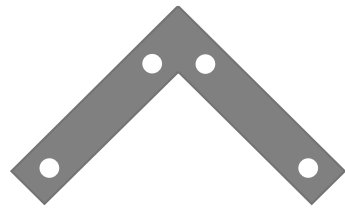

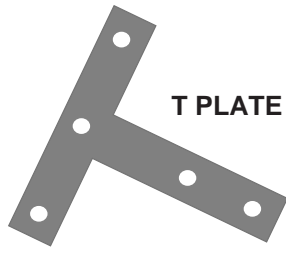
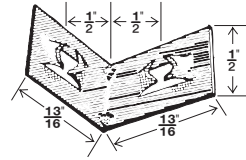


Inch

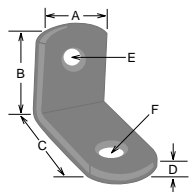
Corner Braces, etc.

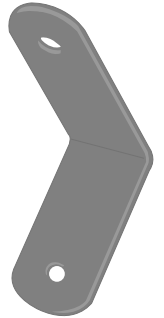
Pouces

Supports en cornière, etc.

All items: <b>STEEL</b> Finish: <b>Zinc Plated</b>	<b>SPAENAU</b> <b>No.</b>	<b>Size</b>	<b>Total Holes</b>	<b>Ctsk. Hole Size</b>	<b>Strap Width</b>	<b>Gauge of Metal</b>
 <p><b>INSIDE CORNER BRACE</b></p>	<b>073-016</b>	1" x 1"	2	#6	1/2"	.074"
	<b>073-017</b>	1-1/2" x 1-1/2"	4	#8	1/2"	.083"
	<b>073-018</b>	2" x 2"	4	#8	5/8"	.104"
	<b>073-019</b>	2-1/2" x 2-1/2"	4	#8	5/8"	.119"
	<b>073-020</b>	3" x 3"	4	#9	3/4"	.119"
	<b>073-021</b>	3-1/2" x 3-1/2"	4	#9	3/4"	.150"
	<b>073-022</b>	4" x 4"	4	#10	7/8"	.105"
	<b>073-023</b>	5" x 5"	6	#10	1"	.190"
	<b>073-024</b>	6" x 6"	6	#12	1"	.187"
<b>073-025</b>	8" x 8"	8	#12	1-1/8"	.179"	
 <p><b>FLAT CORNER BRACE</b></p>	<b>073-026</b>	1-1/2" x 1-1/2"	4	#5	3/8"	.064"
	<b>073-027</b>	2" x 2"	4	#5	3/8"	.064"
	<b>073-028</b>	2-1/2" x 2-1/2"	4	#6	1/2"	.064"
	<b>073-029</b>	3" x 3"	4	#6	5/8"	.074"
	<b>073-030</b>	3-1/2" x 3-1/2"	4	#7	1/2"	.074"
	<b>073-031</b>	4" x 4"	4	#7	3/4"	.074"
	<b>073-032</b>	5" x 5"	4	#8	7/8"	.074"
	<b>073-033</b>	6" x 6"	6	#8	7/8"	.095"
	<b>073-034</b>	8" x 8"	6	#9	1-1/2"	.089"
 <p><b>STRAIGHT MENDING PLATE</b></p>	<b>073-035</b>	2" x 5/8"	2	#6	5/8"	.074"
	<b>073-036</b>	2-1/2" x 5/8"	4	#6	5/8"	.074"
	<b>073-037</b>	3" x 3/4"	4	#7	3/4"	.074"
	<b>073-038</b>	3-1/2" x 3/4"	4	#7	3/4"	.085"
	<b>073-039</b>	4" x 7/8"	4	#8	7/8"	.083"
	<b>073-040</b>	5" x 1"	4	#8	1"	.109"
	<b>073-041</b>	6" x 1-1/8"	4	#9	1-1/8"	.104"
	<b>073-042</b>	8" x 1-1/4"	4	#10	1-1/4"	.134"
	<b>073-043</b>	10" x 1-1/4"	6	#10	1-1/4"	.154"
 <p><b>T PLATE</b></p>	<b>073-052</b>	3" x 3"	5	#8	3/4"	.095"
	<b>073-045</b>	4" x 4"	5	#8	3/4"	.083"
	<b>073-046</b>	5" x 5"	5	#9	1"	.083"
<p>▲ All above items 10 per package.</p>			<p><b>202-259</b> "Spring Nut" <b>CORNER BRACKET</b></p>		 <p>10-24 Thread Phos. &amp; Oil Finish Unit Pkg. 100</p>	

**F**

<b>ANGLE OR CORNER BRACKETS - OF STEEL</b>									
 TYPICAL TWO-HOLE CORNER BRACKET	<b>SPAENAU</b> <b>No.</b>	<b>WIDTH</b> <b>A</b>	<b>OVERALL ARM LENGTHS</b>		<b>GAUGE</b> <b>D</b>	<b>HOLE DETAIL</b>			<b>FINISH</b>
			<b>B</b>	<b>C</b>		<b>E</b>	<b>F</b>	<b>G</b>	
<b>Two-hole Style</b>									
	<b>073-010</b>	1/2"	9/16"	1/2"	.062"	.165"(P)	6-32(T)	-	Zinc Pl.
	<b>073-008</b>	1/2"	9/16"	1/2"	.062"	.165"(P)	8-32(T)	-	Tin Pl.
	<b>073-053</b>	1/2"	3/4"	3/4"	.060"	.164"(P)	.164"(P)	-	Zinc Pl.
	<b>*073-001</b>	1/2"	1 1/16"	1 1/16"	.062"	.156"(P)	.156"(P)	-	Zinc Pl.
	<b>073-004</b>	5/8"	1 1/16"	1 1/16"	.120"	.250"(C)	.250"(C)	-	Zinc Pl.
	<b>073-007</b>	3/4"	1 1/16"	1 1/16"	.075"	.187"(P)	.187"(P)	-	Zinc Pl.
	<b>*073-006</b>	3/4"	1 1/2"	1 1/2"	.072"	.218"(P)	.218"(P)	-	Zinc Pl.
<b>Three-hole Style</b>									
	<b>073-005</b>	5/8"	1 9/16"	1 1/16"	.083"	.218"(C)	.218"(C)	.218"(C)	Zinc Pl.
<p>See Price List for Unit Package Quantities</p>						<p>(P) Plain (T) Tapped (C) Countersunk</p>			



\*073-001  
\*073-006  
Rib  
Reinforced  
Angle

CATALOG 13

Tel: 1-800-265-8772 Fax: 519-744-0818

**F15**

27 Nov 02