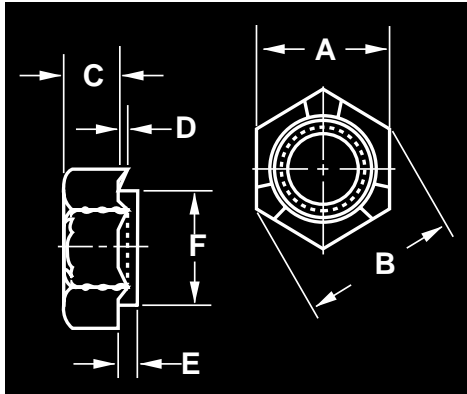


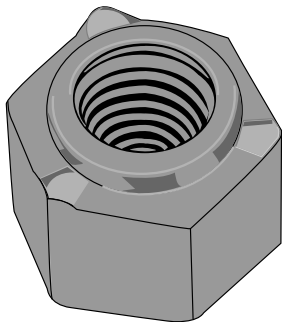
C



**PILOT PROJECTION
HEX WELD NUTS
STANDARD SERIES**

The Gripco Standard Series of Pilot Projection Weld Nuts are manufactured from low carbon steel for use with Grade 2 bolts. These weld nuts are engineered for positioning in pierced or drilled holes. The pilot eliminates the need for expensive jigs or centering devices, and helps reduce welding spatter from entering the nut threads.

The three-projection type provides a non-rocking, firm current connection during welding. The mass of the projections is increased in proportion to increased pilot heights to assure welds on thick or thin metals.



**COARSE and FINE
THREAD**

**LONG and SHORT
PILOT**

NOT PLATED

- No markings are required for Standard Series Pilot Projection Weld Nuts.
- This product is also available with the Gripco prevailing torque feature, special to order.

SPAENAUR No's. listed below can usually be shipped immediately from stock. Other sizes listed are available on request. Delivery 8-10 weeks. Price on request.

Long Pilot - For use with 13 gauge (.0897") metal or thicker

				ALL DIMENSIONS IN INCHES						
Coarse Thread Size	SPAENAUR No.	Fine Thread Size	SPAENAUR No.	A Width Across Flats	B Min. Width Across Corners	C Thick-ness ±.010	D Projection Height ±.003	E Pilot Height ±.005	F Pilot Dia. +.000 -.012	Pilot Hole Dia.
8-32	—	—	—	.500	.556	.187	.040	.085	.406	.421
10-24	—	10-32	—	.500	.556	.187	.040	.085	.406	.421
12-24	—	12-28	—	.500	.556	.187	.040	.085	.406	.421
1/4"-20	208-212	1/4"-28	208-215	.500	.556	.187	.040	.085	.406	.421
M6 x 1mm	208-400 Property Class 9, plain finish			13.00 mm	14.38 mm	5.35 mm	.80 mm ±.075	1.60 mm ±.13+0.0 to -0.3	9.10 mm	9.50 mm
5/16"-18	208-213	5/16"-24	—	.562	.624	.218	.040	.085	.469	.484
3/8"-16	208-207	3/8"-24	208-216	.625	.691	.250	.040	.085	.531	.546
7/16"-14	—	7/16"-20	—	.750	.830	.312	.040	.085	.656	.671
1/2"-13	HN-202	1/2"-20	—	.812	.898	.375	.040	.085	.719	.734
5/8"-11	208-214	5/8"-18	—	.937	1.051	.437	.040	.085	.781	.796

Short Pilot - For use with 14 gauge (.0747") metal or thinner

8-32	—	8-36	—	.375	.413	.125	.015	.030	.313	.328
10-24	208-210	10-32	208-211	.500	.556	.187	.025	.040	.406	.421
12-24	—	12-28	—	.500	.556	.187	.025	.040	.406	.421
1/4"-20	208-205*	—	—	.438	.482	.156	.015	.030	.359	.375
1/4"-20	208-206	1/4"-28	208-218	.500	.556	.187	.025	.040	.406	.421
5/16"-18	N-208	5/16"-24	208-219	.562	.624	.218	.025	.040	.469	.484
3/8"-16	N-209	3/8"-24	208-220	.625	.691	.250	.030	.050	.531	.546
7/16"-14	—	7/16"-20	—	.750	.830	.312	.030	.050	.656	.671
1/2"-13	N-210	1/2"-20	—	.812	.898	.375	.035	.060	.719	.734
5/8"-11	208-209	5/8"-18	—	.937	1.051	.437	.035	.060	.781	.796

*Miniature Series

See Price List for Unit Package Quantities.

6-Projection type are available in sizes listed above, subject to minimum production runs.

CATALOG 13