



814-498

ADJUSTA-BIN DRAWER Regular Size

814-498 With 9 Dividers Weight: 1.7 kg (3-3/4 lbs.)
814-401 Extra Plastic Bin Dividers Unit Package 25

Heavy Duty Steel - All Welded Construction
Includes Interiors of High-Impact Styrene

(*814-498T)
 *Replacement Insert Tray available.

LOCKING HINGES

for slide racks with padlock attachment

814-020 for 814-406 Slide Racks

814-021 for 814-404 Slide Rack



814-020

DRAWER STORAGE SLEEVE BASE

814-772 BASE – raises front of Regular Size Assortment Sleeve to keep drawers in place



814-772
 (Drawer and sleeve not included)

814-404
 (Drawers not included)

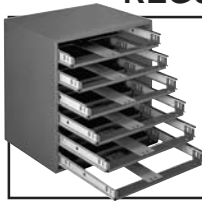


STORAGE-SLIDE RACKS

For Organized Storage of Your

SPAENAU

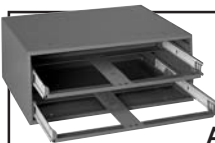
"REGULAR SIZE" Assortments



No. 814-406
15-1/4" W x 11-3/4" D x 16-3/8" H
 Shipping weight 14.5 kg (32 lbs.)
Accommodates 6 Drawers - Regular size
 13-3/8" W x 9-1/4" D x 2" H



No. 814-404
15-1/4" W x 11-3/4" D x 11-1/4" H
 Shipping weight 10 kg (22 lbs.)
Accommodates 4 Drawers - Regular size
 13-3/8" W x 9-1/4" D x 2" H



No. 814-751
15-1/4" W x 11-3/4" D x 6-1/4" H
 Shipping weight 5.5 kg (12 lbs.)
Accommodates 2 Drawers - Regular size
 13-3/8" W x 9-1/4" D x 2" H

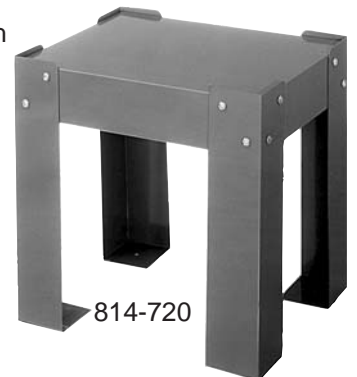
- Heavy-duty steel
- All Welded Construction
- Grey Enamel Finish

Slide Rack BASE

814-720

Base will raise Slide Racks, shown at left, 15" from floor.

Weight
 5.3 kg (11-3/4 lbs.).



814-720

CATALOG 13

All items Priced Singly, except extra bin dividers.

Tel: 1-800-265-8772 Fax: 519-744-0818